

## LED Emergency Light - Standard

### FEATURES

- Fully adjustable 1.8W LED lamp heads equipped with 8 series-parallel white LEDs each
- Injection molded, 5VA flame retardant thermoplastic housing
- Universal mounting plate allows for wall or ceiling installation
- Listed for damp location for indoor use
- 120/277 VAC operation
- Short circuit, voltage surge, brown out and low battery voltage disconnect protected
- Long life, maintenance-free NiCad battery
- LED indicator light with push-to-test switch



### WARRANTY

Any component that fails due to manufacturer's defect is guaranteed for 1 year. The warranty only covers products installed and maintained in accordance with the instructions provided by their respective manufacturer and no warranty is made with respect to any of our products that are otherwise installed or maintained. For full warranty details, visit our Warranty Section.

The EL-W2 series combines traditional emergency lighting and energy efficiency LED performance for a maintenance-free, dependable design.



Ordering Information			
Series	Housing Color	Operation	Options
EL-W2 (White)	White (incl)	120/277V	RH (Remote Head Capable)
EL-B2 (Black)	B (Black)		ST (Self Testing)

### RELATED PRODUCTS

BAA-36900, RHB-L1, RHB-L2, RHB-WPL1



### CONFORMANCE TO CODES AND STANDARDS

The EL-W2 series is UL listed and meets or exceeds the following: UL 924, NEC, OSHA and NFPA 101 Life Safety Code requirements.

## CONSTRUCTION

The EL-W2 series is constructed from injection-molded, engineer-grade, 5VA flame retardant thermoplastic. White housing is standard. Also available in black housing.

## ILLUMINATION

EL-W2 emergency lamps use long-lasting, efficient ultra bright white LEDs. Fully adjustable 1.8W LED lamp Heads equipped with 8 series-parallel white LEDs each. Lamp heads are on track-and-swivel arrangement allowing lamp heads to be fully adjustable.

## ELECTRICAL COMPONENTS

Dual voltage input 120/277 VAC operation. LED display indicates AC/ON. An external push button test switch allows maintenance personnel to quickly determine the operational status of the unit. Unit offers surge protected, solid state circuitry.

## EMERGENCY OPERATION

Upon failure of the normal utility power, an internal solid-state transfer switch automatically provides uninterrupted emergency operation for at least 90 minutes. The fully automatic solid-state, two-rate charger initiates battery charging to recharge a discharged battery in 24 hours.

## BATTERY

The EL-W2 series is designed with a maintenance-free 3.6V 900mAh NiCad battery that provides a minimum emergency duration of 90 minutes. Recharge time of the battery is 24 hours. Operational temperature range is 32°F (0°C) to 122°F (50°C).

## INSTALLATION

EL-W2 emergency lamps use long-lasting, efficient ultra bright white LEDs. Fully adjustable 1.8W LED lamp Heads equipped with 8 series-parallel white LEDs each. Lamp heads are on track-and-swivel arrangement allowing lamp heads to be fully adjustable.

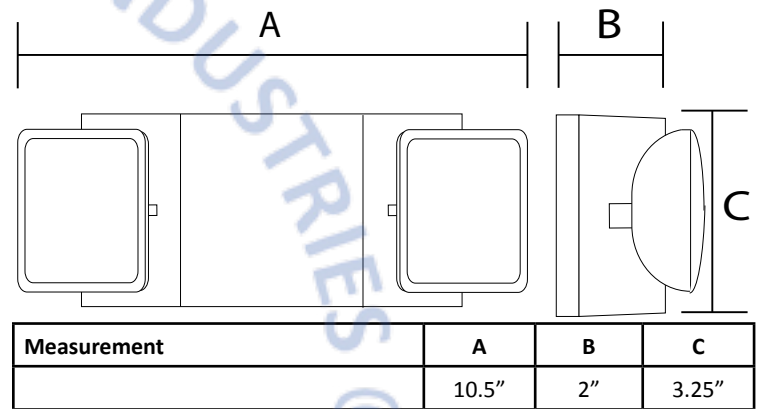
## SELF-TESTING OPTION

Continuously monitors the AC power, battery supply voltage, emergency lamp and charging circuit. The multi-color LED indicator light will indicate failure and adjust when it has been corrected. This feature will test the unit for five minutes every 28 days and 90 minutes every six months.

## REMOTE HEAD CAPABILITY OPTION

The remote head capability option allows the EL-W2 unit to supply power to up to two additional 3.6V LED remote heads. The remote heads would then operate on the same emergency mode as the standard units (see Emergency Operation Section).

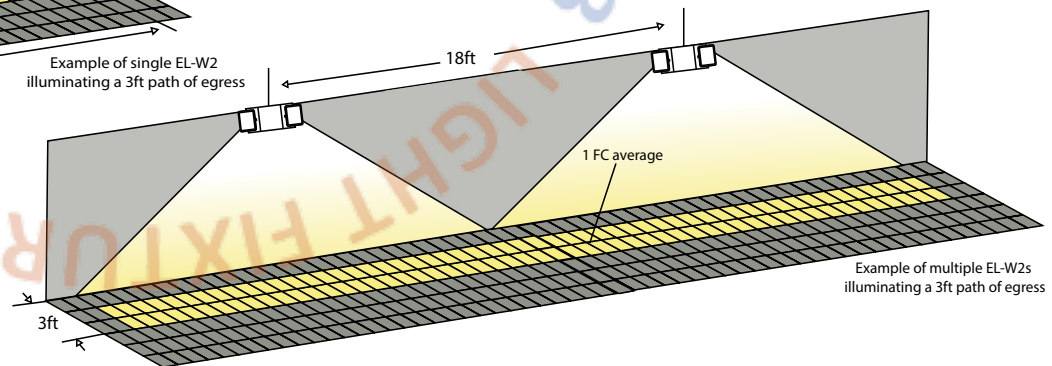
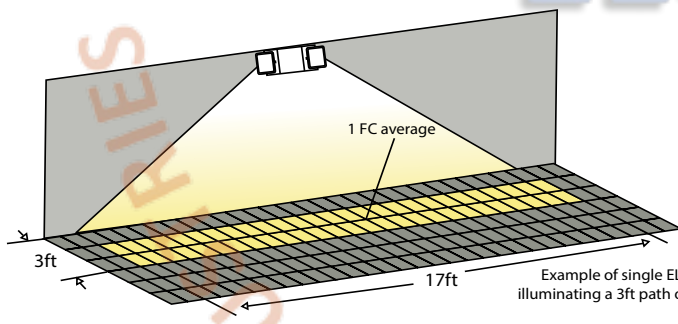
## DIMENSIONS



## PHOTOMETRICS

Standard mounting height of 7.5ft illuminates 1 footcandle (FC) over a distance of 17ft on a 3ft path of egress and 13ft on a 6ft path of egress.

At a mounting height of 7.5ft, multiple units illuminate 1 FC spaced at 18ft for a 3ft path of egress and spaced at 14ft for a 6ft path of egress.



lightFIXTURE  
INDUSTRIES

1497 Poinsettia Ave, Ste 155, Vista, CA 92081

Phone: 877-534-4621 Fax: 877-534-4624

Email: info@lightfixtureindustries.com