



# STEEL HOUSING EMERGENCY LIGHT - ROUND LAMP HEADS - LED AND INCANDESCENT LAMPS

Code: CHEL

## FEATURES

- UL 924, NEC, OSHA and NFPA 101 Life Safety Code
- City of Chicago approved
- Rugged 20 gauge steel housing
- 2 Lamps (6V/12V 7.2W each)
- 6V LED Version Available
- Dual voltage transformer 120/277V
- Battery-lockout circuit
- 6V Sealed lead calcium maintenance-free
- Remote Head Capable (50W and 100W model only)

## WARRANTY INFORMATION

Any component that fails due to manufacturer's defect is guaranteed for 1 year. The warranty only covers products installed and maintained in accordance with the instructions provided by their respective manufacturer and no warranty is made with respect to any of our products that are otherwise installed or maintained. For full warranty details, visit our Warranty Section.

## Conformance to Codes and Standards

The CHEL series is UL listed and meets or exceeds the following: UL 924, NEC, OSHA and NFPA 101 Life Safety Code requirements.



An efficient Steel Housing Emergency Light approved for City of Chicago.



## ORDERING INFORMATION

Series	Housing Color	Operation Type	Model
CHEL	W (White)	BB (Battery Backup)	6V-27W
	B (Black)		6V-50W
			6V-100W
			12V-50W
			12V-100W
			LED 6V 10W
			LED 6V 20W

## CONSTRUCTION

The CHEL Chicago Approved Emergency Light is constructed from durable 20-gauge steel. White or Black housing options are available.

## ILLUMINATION

### Incandescent Option:

Emergency lamps use either 2 6V 12W or 12V 12W lamps - High performance chrome-plated metalized reflector and glass lens for optimal light distribution.

### LED Option:

Emergency lamps uses either 2 6V 5.3W lamps - High performance chrome-plated metalized reflector and glass lens for optimal light distribution.

Both version offer fully adjustable head lamps.

## ELECTRICAL COMPONENTS

Dual voltage input 120/277 VAC operation. LED display indicates AC/ON. An external push button test switch with battery backup units allows maintenance personnel to quickly determine the operational status of the unit. Unit offers surge protected, solid state circuitry

## EMERGENCY OPERATION

Upon failure of the normal utility power, an internal solidstate transfer switch automatically provides uninterrupted emergency operation for at least 90 minutes The fully automatic solid-state, two-rate charger initiates battery charging to recharge a discharged battery in 24 hours. (If no remote heads are attached to the units, the emergency operation will last a minimum of 120 minutes.)

## BATTERY - BATTERY BACKUP

The CHEL series is designed with a maintenance-free 6V 12Ah battery that provides a minimum emergency duration of 90 minutes. Recharge time of the battery is 24 hours.

## OPERATIONAL TEMPERATURE

Operational temperature range is 68°F (20°C) to 122°F (50°C).

## REMOTE HEAD CAPABLE OPTION

### Incandescent Option:

The CHEL emergency light series offers remote head capacity for the 50W and 100W models respectively. This option allows the units to operate up to 2 additional remote heads.

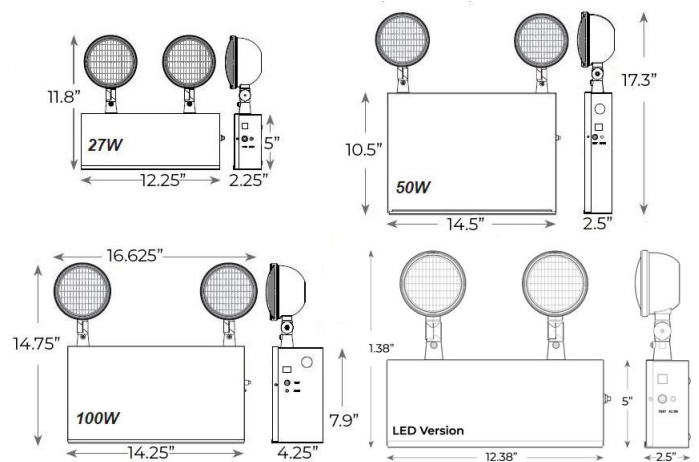
### LED Option:

The CHEL LED version offers 10W or 20W remote head capacity for additional lighting.

## INSTALLATION

The CHEL is suitable for wall mount only. Each model has side and top knockouts for conduit feed applications.

## DIMENSIONS



Weight : 14.00 lb

## ELECTRICAL INFORMATION

MODEL	INPUT WATTS		INPUT AMPS	
	120V	277V	120V	277V
CHEL 6V 27W	11.0	11.0	0.11	0.04
CHEL 6V 50W	18.0	18.0	0.17	0.07
CHEL 12V 50W	26.0	26.0	0.25	0.10
CHEL 6V 100W	23.0	23.0	0.21	0.10
CHEL 12V 100W	32.0	32.0	0.30	0.13