

EL-MR16/EL-MR16B

Emergency Lights with MR16 Lamps



EL-MR16

An efficient and secure Emergency Light. Halogen lamps MR16 – 6 volt, 7 watts. Includes maintenance free battery backup. Works on either 120 or 277 VAC. Universal mounting plate.



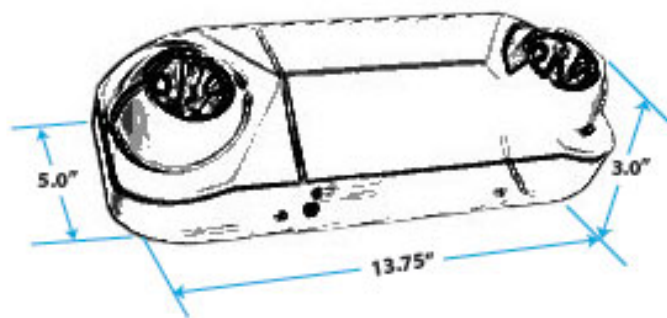
EL-MR16B

Features:

- High quality lead acid battery for 1 ½ hours of backup power
- Recessed, fully adjustable, super bright MR16 halogen eyeballs
- Injection molded, V5 flame retardant thermoplastic housing
- Field selectable, voltage input 120V or 277V
- Flush test button and LED indicator
- Universal mount for wall, ceiling, or conduit
- Modern low profile design
- Solid state electronics

Codes & Standards:

- Energy Star Rated
- ETL approved for UL924. Listed for damp location.
- Meets or exceeds NFPA life safety code 101
- Damp location rated



Dimensions:

Width: 13.75"
Height: 5"
Depth: 3"

Shipping Weight 6 lbs ea.

The contents of this datasheet are copyrighted and may not be reused without the express written permission of The Exit Light Company, Inc. ©2007 The Exit Light Co, Inc.

THE EXIT LIGHT COMPANY, INC.

3525 Del Mar Heights Rd, #304, San Diego, CA 92130

760-598-3948 phone / 760-598-3941 fax

info@exitlightco.com • www.exitlightco.com

revised 05.18.2009

