

EL-ST54W2H

Emergency Light - Incandescent - Steel - Multi-Head - New York City Code



Features:



- Emergency Light with battery backup
- Rugged 20 gauge steel housing
- Approved for New York City Code requirements
- 12V unit, 54W capacity, 12W heads
- Universal 120/277 VAC, 60Hz operation
- Includes two adjustable 12V, 12W lamp heads
- Automatic low voltage disconnect (LVD); brown out protection
- Maintenance-free battery; push to test button
- Charge rate/power-on indicator light

INDUSTRIAL EMERGENCY LIGHTS

Steel Housing Emergency Light - Approved for New York City. Heavy Duty Construction. An efficient and secure 12-Volt Heavy Duty Emergency Light. Includes 10-year life maintenance-free backup battery, works on either 120 or 277 VAC. With remote head capacity.

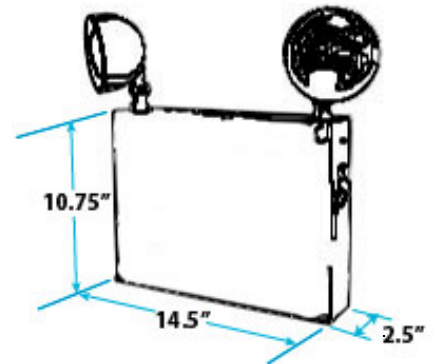
When ordering, use the following catalog code.

Catalog Code:

	Configuration	Code
	White Housing Two Lamp Head	EL-ST54W2H
	White Housing Three Lamp Head	EL-ST54W3H

Dimensions:

Width: 14.5"
Height: 10.75"
Depth: 2.5"



The contents of this datasheet are copyrighted and may not be reused without the express written permission of The Exit Light Company, Inc. ©2007 The Exit Light Co, Inc.

THE EXIT LIGHT COMPANY, INC.

3525 Del Mar Heights Rd, #304, San Diego, CA 92130
760-598-3948 phone / 760-598-3941 fax
info@exitlightco.com • www.exitlightco.com
revised 05.04.2009

