

WET LISTED INDUSTRIAL EMERGENCY LIGHT

Code: EL-WET



The EL-WET Heavy Duty Emergency Light is not only ideal for wet locations, its durable design is also resistant to corrosive atmospheres and harsh environments.



Compatible Battery: B6V7A

Compatible Remote Head(s): RH-WP

ORDERING INFORMATION

Series	Housing Color	Operation Type	Options
EL-WET	GY (Gray)	BB (Battery Backup)	USA (Assembled in USA)
		RH (Remote Head Capable)	IH (Expanded Temperature Rating 15°F to 104°F)

FEATURES

- UL 924, NEC, NFPA 101 Life Safety Code & Wet Location Listed
- Fully gasketed fiberglass corrosion-resistant enclosure
- Includes two 7.2 watts lamps
- Solid state charging circuit
- Short circuit and overload protection on DC output circuit
- Low voltage disconnect (LVD)
- Maintenance-free sealed battery
- Sealed momentary push-to-test switch & AC indicator light

WARRANTY INFORMATION

Any component that fails due to manufacturer's defect is guaranteed for 1 year. The warranty only covers products installed and maintained in accordance with the instructions provided by their respective manufacturer and no warranty is made with respect to any of our products that are otherwise installed or maintained. For full warranty details, visit our Warranty Section.

Conformance to Codes and Standards

The EL-WET is UL listed and meets or exceeds the following: UL 924, NEC, and NFPA 101 Life Safety Code requirements.

CONSTRUCTION

The EL-WET Industrial Emergency Light is constructed from corrosion resistant fiberglass. Resistant to corrosive atmosphere, harsh environments and non-hazardous dust environments. UL listed for wet location and designed to withstand hose-downs, water spray and splashing water. Gray housing is standard.

ILLUMINATION

EL-WET emergency unit uses two 7.2W top mounted heads styled after Par36 lamps. Heads are constructed from high impact thermoplastic. Fully-adjustable.

ELECTRICAL COMPONENTS

Dual voltage input 120/277 VAC operation. LED display indicates AC/ON. An external push button test switch allows maintenance personnel to quickly determine the operational status of the unit. Unit offers surge protected, solid state circuitry.

EMERGENCY OPERATION

Upon failure of the normal utility power, an internal solidstate transfer switch automatically provides uninterrupted emergency operation for at least 90 minutes. The fully automatic solid-state, two-rate charger initiates battery charging to recharge a discharged battery in 24 hours.

BATTERY - BATTERY BACKUP

The EL-WET Emergency Light is designed with a maintenance-free 6 volt 10 mAh sealed lead acid battery that provides a minimum emergency duration of 90 minutes. Recharge time of the battery is 24 hours.

OPERATIONAL TEMPERATURE

Temperature Ratings	
Series	Temperature
Standard Option	5°C to 40°C / 41°F to 104°F
Expanded Temperature Rating	-9°C to 40°C / 15°F to 104°F

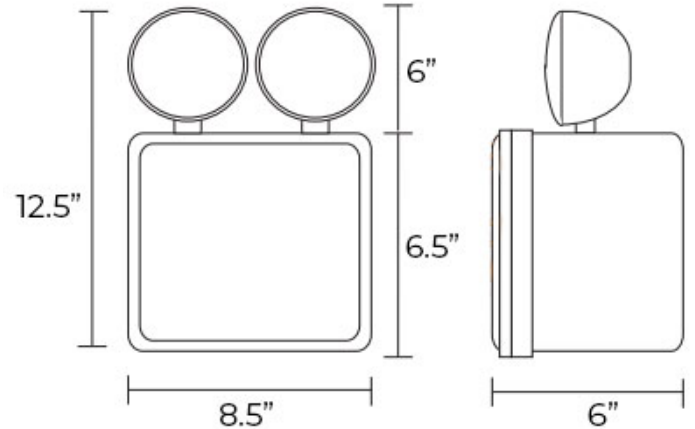
REMOTE HEAD CAPABLE OPTION

The remote head capability option allows the EL-WET unit to supply power to up to two additional 7.2W 6V remote heads. The remote heads would then operate on the same emergency mode as the standard units (see Emergency Operation Section).

INSTALLATION

The EL-WET is suitable for surface wall mounting. Hinged front access panel allows for trouble free installation and maintenance.

DIMENSIONS



Weight : 23.00 lb

3170 Scott St, Vista, CA 92081
Phone: 877-352-3948 | Fax: 877-352-3949
info@exitlightco.com