



# CANADA APPROVED LED RUNNING MAN EXIT SIGN | INTERCHANGEABLE PICTOGRAM

Code: LEDRM



The LEDRM series offers a lightweight, compact combination fixture. Mark the path of egress with ease using the provided pictograms.



**Compatible Battery:** 3.6V 1000mAh

## FEATURES

- Approved for Canada Markets
- CSA Listed meets all requirements in C22.2 No. 141-10
- Interchangeable Pictograms
- All LED light! No SLA batteries, uses long lasting NiCads that are very low maintenance
- Universal mounting canopy for ceiling, wall, and side mount
- Lightweight with snap-together construction for easy installation
- LED status indicator
- Injection molded, impact- and scratch-resistant, corrosion-proof, UL 94 V-0 flame retardant housing
- Push-to-test switch
- 120V-247VAC Operations

## WARRANTY INFORMATION

Any component that fails due to manufacturer's defect is guaranteed for 1 year. The warranty only covers products installed and maintained in accordance with the instructions provided by their respective manufacturer and no warranty is made with respect to any of our products that are otherwise installed or maintained. For full warranty details, visit our Warranty Section.

## Conformance to Codes and Standards

The LEDRM series is CSA listed and meets all requirements in C22.2 No. 141-10 and is suitable for Canada Markets.

## ORDERING INFORMATION

Series	Housing Color	Operation Type
COMBORM	W (White)	BB (Battery Backup)
	B (Black)	AC (AC Only)

## CONSTRUCTION

The LEDRM Exit Sign series is constructed from injection molded thermoplastic ABS housing, plastic enclosure 5VA flame retardant housing.

## ELECTRICAL COMPONENTS

Universal 120V-347VAC operation. LED display indicates AC/ON. An external push button test switch with battery backup units allows maintenance personnel to quickly determine the operational status of the unit. Unit offers surge protected, solid state circuitry.

## EMERGENCY OPERATION

Upon failure of the normal utility power, an internal solidstate transfer switch automatically provides uninterrupted emergency operation for at least 90 minutes. The fully automatic solid-state, two-rate charger initiates battery charging to recharge a discharged battery in 24 hours.

## BATTERY - BATTERY BACKUP

The LEDRM Exit Sign series is designed with a maintenance-free 3.6V 1000mAh NiCad battery that provides a minimum emergency duration of 90 minutes. Recharge time of the battery is 24 hours.

## OPERATIONAL TEMPERATURE

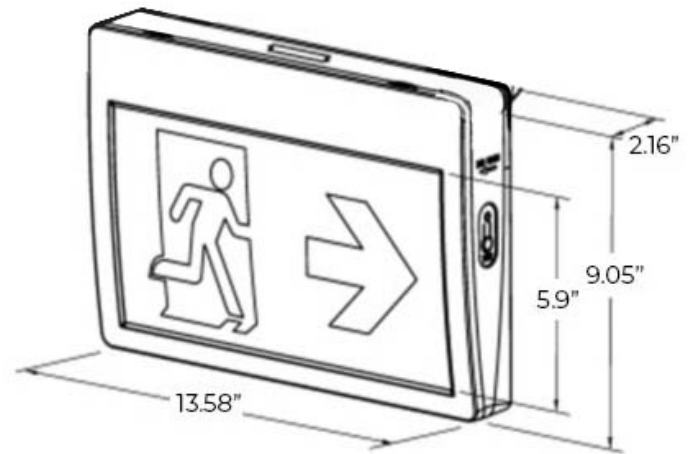
### Temperature Ratings

Series	Temperature
Standard	50°F to 95°F

## INSTALLATION

The LEDRM Exit Sign series is suitable for wall, side or ceiling installation via included mounting plate. Snap together design allows for quick and easy installation.

## DIMENSIONS



Weight : 4.00 lb

3170 Scott St, Vista, CA 92081  
Phone: 877-352-3948 | Fax: 877-352-3949  
[info@exitlightco.com](mailto:info@exitlightco.com)