

## Emergency Light - 6 Volt 100 Watt with Remote Head Capability

### FEATURES

- Emergency light with battery backup
- Compact low profile design in neutral finish
- Universal 120/277 VAC (60Hz) input
- Includes two adjustable 6V 7.2W lamp heads
- Environmentally-coated, solid state charger
- Automatic low voltage disconnect (LVD)
- Push-to-test switch
- Maintenance-free battery
- Charge rate / power-on indicator light



### WARRANTY

Any component that fails due to manufacturer's defect is guaranteed for 1 year. The warranty only covers products installed and maintained in accordance with the instructions provided by their respective manufacturer and no warranty is made with respect to any of our products that are otherwise installed or maintained. For full warranty details, visit our Warranty Section.

An efficient and secure 6V Heavy Duty Emergency Light. Operates up to 4 additional remote heads (4 hours operation with no additional heads, 2 hours with (2) 7.2 watts remote heads, 1.5 hours with (4) 7.2watts remote heads)



Ordering Information				
Series	Housing Color	Operation	Lamp Wattage	Optional Items
EL-100-HD6	Beige(incl)	120/277 Volt (incl)	7.2W (Std)	Assembled in the USA
			9.0W	

### Related Products:

B6V12Ah,RHR26V, RHR6V, RH-WP-6V,RH-2WP-6V (Remote Head Lamps need to be 6V)

### CONFORMANCE TO CODES AND STANDARDS

The EL-100 series is UL listed and meets or exceeds the following: UL 924, NEC, OSHA and NFPA 101 Life Safety Code requirements.

### CONSTRUCTION

The EL-100 emergency light series has an Injection-molded, engineering-grade, 5VA flame retardant, high-impact thermo-plastic construction housing.

### ILLUMINATION

The EL-100 emergency light series comes with 2 fully adjustable 6V lamps.

### ELECTRICAL COMPONENTS

Dual voltage input 120/277 VAC operation. LED display indicates AC/ON. An external push button test switch allows maintenance personnel to quickly determine the operational status of the unit. Unit offers surge protected, solid state circuitry.

### EMERGENCY OPERATION

Upon failure of the normal utility power, an internal solid-state transfer switch automatically provides uninterrupted emergency operation for at least 90 minutes. The fully automatic solid-state, two-rate charger initiates battery charging to recharge a discharged battery in 24 hours.

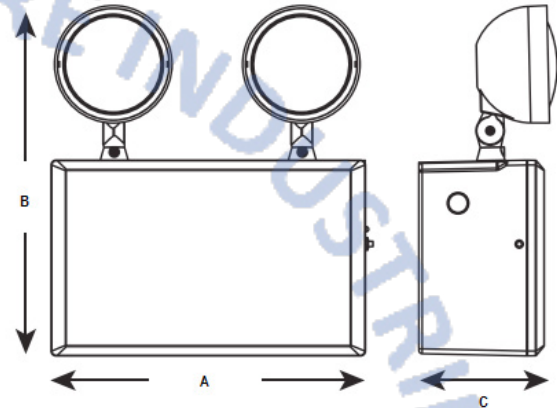
### BATTERY

The EL-100 series comes with four maintenance free 6V 12Ah rechargeable sealed lead acid batteries.

### INSTALLATION

The EL-100 emergency light series is suitable for wall installation via included mounting plate includes side and top knock-outs for conduit feed applications.

### DIMENSIONS



Measurement	A	B	C
	12.62"	14"	5"

**lightFIXTURE**  
INDUSTRIES

1497 Poinsettia Ave, Ste 155, Vista, CA 92081

Phone: 877-534-4621 Fax: 877-534-4624

Email: info@lightfixtureindustries.com