



The WLCO4X Series is not only ideal for wet locations, its durable design is also resistant to corrosive atmospheres and harsh environments.

FEATURES

- UL924, NFPA 101 Life Safety Code, NEC, OSHA, Local and State Codes
- NEMA 4X Rated and IP66 Rated for Ingress Protection
- UL Listed for Wet Locations
- UL Certified for use in food service operations
- 120/277 VAC dual-voltage input
- Internal solid-state transfer switch
- Universal knockout pattern on back
- Polycarbonate mounting canopy included top or end mount

WARRANTY INFORMATION

Any component that fails due to manufacturer's defect is guaranteed for 1 year. The warranty only covers products installed and maintained in accordance with the instructions provided by their respective manufacturer and no warranty is made with respect to any of our products that are otherwise installed or maintained. For full warranty details, visit our [Warranty Section](#).

Conformance to Codes and Standards

The WLCO4X is UL listed and meets or exceeds the following: UL 924, NEC, OSHA, NEC, and NFPA 101 Life Safety Code requirements.

ORDERING INFORMATION

Series	Housing Color	Operation Type	Voltage	Wattage	Options
WLCO4X	W (White)	BB (Battery Backup)	6V	12W	CW (Cold Weather)
	B (Black)	ST (Self-Testing)	12V	15W	IH (Expanded Temperature Rating 15°F to 104°F)
				28W	TP (Tamper Proof)
					NH (No Heads)
					DS (Double Sided)

CONSTRUCTION

The WLCO4X Combo Exit Sign series is constructed of reinforced polycarbonate in white or black housing. Corrosion-resistant enclosure with one piece, high impact resistant, UV stabilized polycarbonate lens and molded gasket with stainless steel screws. Tamper-proof hardware is available for unauthorized access to the unit.

ILLUMINATION

The WLCO4X Combo Exit Sign series offers two fully adjustable, ultra bright 3.3W high performance MR-16 base LED lamp heads for optimized center to center spacing. Long-life, energy efficient Red or Green LED EXIT sign illumination.

ELECTRICAL COMPONENTS

120/277 VAC operation. LED display indicates AC/ON. Unit offers surge protected, solid state circuitry. Battery backup models offer an external push button test switch, brownout detection, AC lockout, low voltage disconnect and visual LED system fault indicator.

EMERGENCY OPERATION

Upon failure of the normal utility power, an internal solid-state transfer switch automatically provides uninterrupted emergency operation for at least 90 minutes. The fully automatic solid-state, two-rate charger initiates recharging a discharged battery within 24 hours.

BATTERY - BATTERY BACKUP

The WLCO4X Combo Exit Sign series is designed with a maintenance-free 6V/12V NiCad (12W and 15W Models) or 6V/12V maintenance-free sealed lead acid battery (28W Models) that provides a minimum emergency duration of 90 minutes. Recharge time of the battery is 24 hours.

SELF-TESTING OPTION

Unit will automatically perform NFPA required monthly and annual testing. Refer to user manual for details.

OPERATIONAL TEMPERATURE

Temperature Ratings	
Series	Temperature
12W and 15W Series	0°C to 50°C / 32°F to 122°F
28W Series	10°C to 40°C / 50°F to 104°F
Expanded Temperature Rating	-20°C to 50°C / -4°F to 122°F

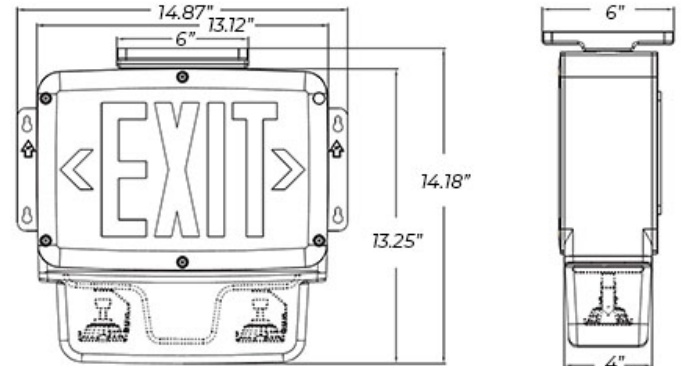
REMOTE HEAD CAPABLE OPTION

The remote head capability option allows the WLCO4X unit to supply power to additional 6V/12V remote heads. The remote heads would then operate on the same emergency mode as the standard units (see Emergency Operation Section).

INSTALLATION

The WLCO4X Combo Exit Sign series is suitable for wall, ceiling and side mount (Polycarbonate mounting bracket included). Knockouts provided for conduit feed applications.

DIMENSIONS



Weight : 15.00 lb

3170 Scott St, Vista, CA 92081
Phone: 877-352-3948 | Fax: 877-352-3949
info@exitlightco.com