



HAZARDOUS LOCATION RATED RED/GREEN LED COMBO EXIT SIGN | CLASS 1 DIVISION 2 | ADJUSTABLE HEAD LAMPS

Code: COC1D2



The COC1D2 Series is not only ideal for wet locations, its durable design is also resistant to corrosive atmospheres and harsh environments.



Compatible Remote Head(s): [RH-C1D2](#)

FEATURES

- UL924, NFPA 101 Life Safety Code, NEC, OSHA, Local and State Codes
- Rated for Class 1, Division 2, Groups A, B, C & D.
- UL Listed for Wet Locations & IP66 Rated for Ingress Protection
- 120/277 VAC dual-voltage input
- Internal solid-state transfer switch
- Universal knockout pattern on back
- Fiberglass reinforced polycarbonate construction

WARRANTY INFORMATION

Any component that fails due to manufacturer's defect is guaranteed for 1 year. The warranty only covers products installed and maintained in accordance with the instructions provided by their respective manufacturer and no warranty is made with respect to any of our products that are otherwise installed or maintained. For full warranty details, visit our [Warranty Section](#).

Conformance to Codes and Standards

The COC1D2 is UL listed and meets or exceeds the following: C1D2 (Groups A, B, C & D), IP66, UL 924, NEC, OSHA, NEC, and NFPA 101 Life Safety Code requirements

ORDERING INFORMATION

| Series | Letter Color | Operation Type | Sides | Voltage | Wattage | Lamp Heads | Temperature Rating | Hardware |
|--------|--------------|---|------------|---------|---------|---------------------|-----------------------------------|----------------------------|
| COC1D2 | R (Red) | RH (Battery Backup+Remote Head Capable) | S (Single) | 6V | 12W | 2L (Two Lamp Heads) | STR (Standard Temperature Rating) | SDH (Standard Hardware) |
| | G (Green) | ST (Battery Backup + Self-Testing) | D (Double) | 12V | | NL (No Lamp Heads) | CW (Expanded Temperature Rating) | TP (Tamper Proof Hardware) |

CONSTRUCTION

The COCID2 Combo Exit Sign series housing is constructed of fiberglass reinforced polycarbonate in a gray finish. Corrosion-resistant enclosure with one piece design features improved impact resistance, UV stabilized polycarbonate lens, molded gasket and stainless steel hardware. EZ snap-out chevron directional indicators. Tamper-proof hardware is available to prevent unauthorized access to the unit.

ILLUMINATION

The COCID2 Combo Exit Sign series is designed with two fully adjustable, ultra bright 3.3W high performance MR-16 base LED lamps heads for optimized center-to-center spacing. Long-life, energy efficient Red/Green LED EXIT sign illumination.

ELECTRICAL COMPONENTS

Dual 120/277 VAC operation. LED display indicates AC/ON. Unit offers surge protected, solid state circuitry. Battery backup models offer an external push button test switch, brownout detection, AC lockout, low voltage disconnect and visual LED system fault indicator.

EMERGENCY OPERATION

Upon failure of the normal utility power, an internal solid-state transfer switch automatically provides uninterrupted emergency operation for at least 90 minutes. The fully automatic solid-state, two-rate charger initiates recharging a discharged battery within 24 hours.

BATTERY - BATTERY BACKUP

The COCID2 Combo Exit Sign series incorporates a 6V or 12V maintenance-free NiCad battery that provides a minimum emergency duration of 90 minutes. Recharge time of the battery is 24 hours.

PHOTOMETRICS

Standard mounting height of 7.5ft illuminates 1 footcandle (FC) **spaced at 45ft for a 3ft path of egress.**

Mounting height of 10ft illuminates 1 footcandle (FC) **spaced at 38ft for a 3ft path of egress.**

Disclosure:

Spacing is measured in lab condition with an assumed open space, no obstruction and reflection rates of 80 (ceiling) / 50 (walls) / 20 (floor). Actual spacing may vary depending on what environment the fixture is installed in.

SELF-TESTING OPTION

Self-test models perform an monthly, biannual and annual test to ensure reliable operation and compliance to electrical/life-safety codes.

OPERATIONAL TEMPERATURE

| Temperature Ratings | |
|----------------------|---------------|
| Standard Option | 32°F to 122°F |
| Expanded Temp Rating | -4°F to 122°F |

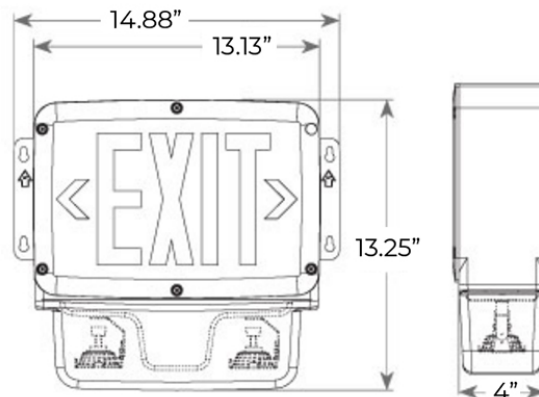
REMOTE HEAD CAPABLE OPTION

The COCID2 Combo Exit Sign series offers 4.8W and 7.8W of remote capacity. No lamp head option enables unit to be used as a remote head capable EXIT sign.

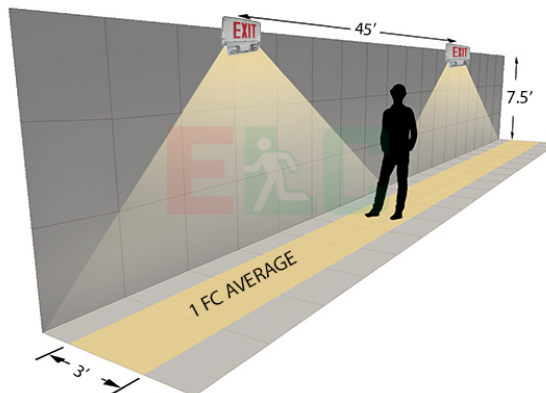
INSTALLATION

The COCID2 Combo Exit Sign series includes die-cast mounting brackets for surface wall-mount installation. Pre-installed conduit hub for conduit and pendant-mount installation.

DIMENSIONS



Weight : 20.00 lb



3170 Scott St, Vista, CA 92081

Phone: 877-352-3948 | Fax: 877-352-3949

info@exitlightco.com