



THIN CAST ALUMINUM COMBO EXIT SIGN - ADJUSTABLE LIGHT BAR

Code: COMBOLB



The COMBOLB Exit Sign series combines a thin profile traditional modern design and dependable LED lighting illumination for an attractive and affordable solution.



Compatible Battery: BAA-3618

ORDERING INFORMATION

Series	Letter Color	Housing Color	Operation Type	Options
COMBOLB	R (Red)	W (White)	BB (Battery Backup)	RC (Testing Remote Control)
	G (Green)			

FEATURES

- UL 924, CSA Listed, DOE and CEC Registered
- Bottom Adjustable LED bar
- Listed for damp location
- 100V-300V Operation
- Aluminum Faceplates
- Injection-molded, VO flame retardant, high impact housing
- Universal mounting canopy for top or side installation
- Optional IR Remote Control

WARRANTY INFORMATION

Any component that fails due to manufacturer's defect is guaranteed for 1 year. The warranty only covers products installed and maintained in accordance with the instructions provided by their respective manufacturer and no warranty is made with respect to any of our products that are otherwise installed or maintained. For full warranty details, visit our Warranty Section.

Conformance to Codes and Standards

COMBOLB Exit Sign series is UL listed and meets or exceeds the following: UL 924, CSA Listed, DOE, and CEC Registered.

CONSTRUCTION

The COMBOLB Exit Sign is constructed from injection molded, UL-94V0 flame retardant, high impact thermoplastic housing and aluminum face plates. White housing is standard.

ILLUMINATION

The COMBOLB model offers an innovative, fully adjustable, glare free LED light bar (9 equally spaced LEDs) that offers uniform illumination in an all-in-one design.

ELECTRICAL COMPONENTS

Dual voltage input 100-300 VAC operation. LED light display indicates AC/ON. An external push button test switch with battery backup units allows maintenance personnel to quickly determine the operational status of the unit. Unit offers surge protected, solid state circuitry. Testing IR remote control is available to purchase.

EMERGENCY OPERATION

Upon failure of the normal utility power, an internal solid-state transfer switch automatically provides uninterrupted emergency operation for at least 90 minutes. The fully automatic solid-state, two-rate charger initiates battery charging to recharge a discharged battery in 24 hours.

BATTERY - BATTERY BACKUP

The COMBOLB Exit Sign is designed with a maintenance-free 3.6V 1800mAh NiMh battery that provides a minimum emergency duration of 90 minutes. Recharge time of the battery is 24 hours.

OPERATIONAL TEMPERATURE

Temperature Ratings

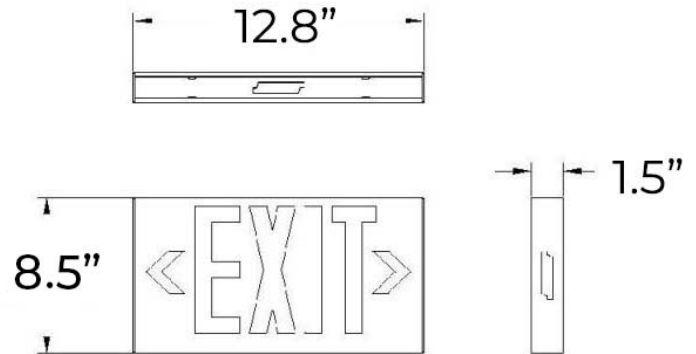
Standard Option

10°C to 40°C / 50°F to 104°F

INSTALLATION

The COMBOLB Exit Sign is suitable for surface wall, side, and top mounting via included canopy. Snap together design allows for quick and easy installation. Knock-out chevrons for customized egress signage.

DIMENSIONS



Weight : 3.00 lb

3170 Scott St, Vista, CA 92081
Phone: 877-352-3948 | Fax: 877-352-3949
info@exitlightco.com