



CANADA APPROVED LED RUNNING MAN COMBO EXIT SIGN | INTERCHANGEABLE PICTOGRAM | ADJUSTABLE LAMP HEADS

Code: COMBORM



The COMBORM series offers a lightweight, compact combination fixture. The emergency lights can be rotated from side to top of the fixture to allow for more light coverage and a variety of mounting configurations. Mark the path of egress with ease using the provided pictograms.



FEATURES

- Approved for Canada Markets
- CSA Listed meets all requirements in C22.2 No. 141-10
- Interchangeable Pictograms
- All LED light! No SLA batteries, uses long lasting NiCads that are very low maintenance
- Fully adjustable swivel-mount LED lamp heads each equipped with white high output LEDs
- Universal mounting canopy for ceiling, wall, and side mount
- Lightweight with snap-together construction for easy installation
- LED status indicator
- Injection molded, impact- and scratch-resistant, corrosion-proof, UL 94 V-0 flame retardant housing
- Push-to-test switch
- 120V-247VAC Operations

WARRANTY INFORMATION

Any component that fails due to manufacturer's defect is guaranteed for 1 year. The warranty only covers products installed and maintained in accordance with the instructions provided by their respective manufacturer and no warranty is made with respect to any of our products that are otherwise installed or maintained. For full warranty details, visit our Warranty Section.

Conformance to Codes and Standards

The COMBORM series is CSA listed and meets all requirements in C22.2 No. 141-10 and is suitable for Canada Markets.

ORDERING INFORMATION

Series	Housing Color	Operation Type
COMBORM	W (White)	BB (Battery Backup)
	B (Black)	

CONSTRUCTION

The COMBORM Combo Exit Sign series is constructed from injection molded thermoplastic ABS housing, plastic enclosure 5VA flame retardant housing.

ILLUMINATION

Uses two high power 2W LED lamp heads. CCT 6000k. Lamp heads are on track-and-swivel guides for maximum adjustability.

ELECTRICAL COMPONENTS

Universal 120V-347VAC operation. LED display indicates AC/ON. An external push button test switch with battery backup units allows maintenance personnel to quickly determine the operational status of the unit. Unit offers surge protected, solid state circuitry.

EMERGENCY OPERATION

Upon failure of the normal utility power, an internal solidstate transfer switch automatically provides uninterrupted emergency operation for at least 90 minutes. The fully automatic solid-state, two-rate charger initiates battery charging to recharge a discharged battery in 24 hours.

BATTERY - BATTERY BACKUP

The COMBORM Combo Exit Sign series is designed with two maintenance-free 3.6V 1000mAh NiCad battery that provides a minimum emergency duration of 90 minutes. Recharge time of the battery is 24 hours.

PHOTOMETRICS

Suggested mounting height of 7.5ft illuminates 1 footcandle (FC) **spaced at 24ft for a 3ft path of egress.**

Disclosure:

Spacing is measured in lab condition with an assumed open space, no obstruction and reflection rates of 80 (ceiling) / 50 (walls) / 20 (floor). Actual spacing may vary depending on what environment the fixture is installed in.

OPERATIONAL TEMPERATURE

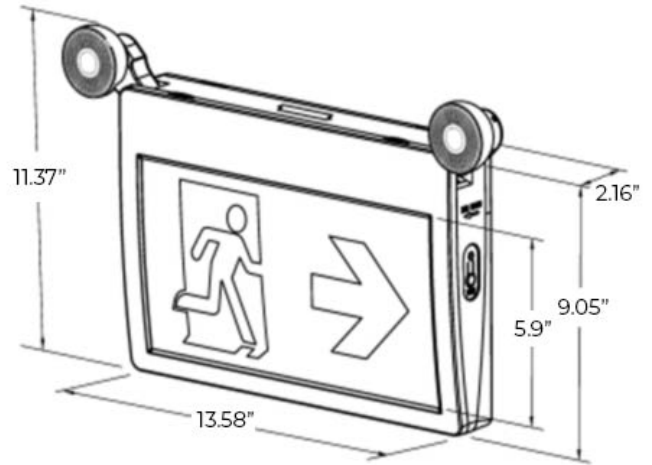
Temperature Ratings

Series	Temperature
Standard	50°F to 95°F

INSTALLATION

The COMBORM Combo Exit Sign series is suitable for wall, side or ceiling installation via included mounting plate. Snap together design allows for quick and easy installation.

DIMENSIONS



Weight : 4.00 lb

