

# GREEN LED THIN EXIT LIGHT COMBO | 300° ADJUSTABLE LAMP HEADS

Code: COMBOT-G



An Ultra Thin LED Combo Exit Sign with a modern design.



## FEATURES

- UL and cUL Listed
- Two 300° adjustable LED heads lamps
- Injection-molded, high-impact, UL94 V-0 thermoplastic construction
- 120-277 VAC operation
- Universal mounting pattern knock-out in back plate for J-box mounting
- Knock-out left/right arrows
- Test switch and charge indicator
- Innovative and easy installation in minutes

## WARRANTY INFORMATION

Any component that fails due to manufacturer's defect is guaranteed for 1 year. The warranty only covers products installed and maintained in accordance with the instructions provided by their respective manufacturer and no warranty is made with respect to any of our products that are otherwise installed or maintained. For full warranty details, visit our Warranty Section.

## ORDERING INFORMATION

Series	Letter Color	Housing Color	Operation Type
COMBOT	R (Red)	W (White)	BB (Battery Backup)
	G (Green)		

## CONSTRUCTION

The COMBOT-G series is constructed from injection-molded, high-impact, engineering-grade, UV-stabilized, UL 94 V-0 thermoplastic. White housing is standard.

## ILLUMINATION

Emergency lamps use long-lasting, energy efficient ultra bright white LEDs. Heads are made with high-performance chromeplated reflectors and polycarbonate lenses for optimal light distribution. Exit portion uses Red LEDs.

## ELECTRICAL COMPONENTS

120-277 VAC operation. LED display indicates AC/ON. An external push button test switch allows maintenance personnel to quickly determine the operational status of the unit.

## EMERGENCY OPERATION

Upon failure of the normal utility power, an internal solidstate transfer switch automatically provides uninterrupted emergency operation for at least 90 minutes. The fully automatic solid-state, two-rate charger initiates recharging a discharged battery within 24 hours.

## BATTERY - BATTERY BACKUP

The COMBOT-G Thin Combo Exit Sign series is designed with a maintenance-free 1.2V 1000mAh NiMH battery that provides an emergency duration of 90 minutes. Recharge time of the battery is 24 hours.

## OPERATIONAL TEMPERATURE

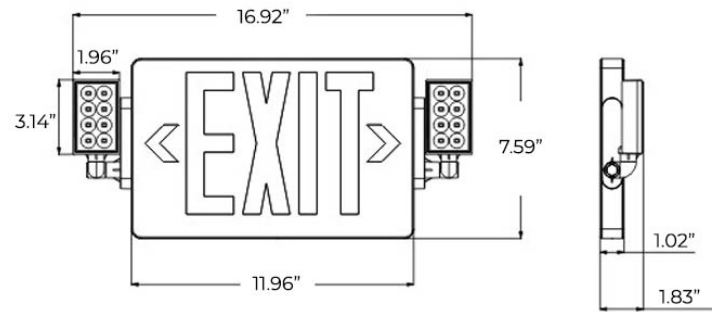
### Temperature Ratings

Standard Option	0°C to 40°C / 32°F to 104°F
-----------------	-----------------------------

## INSTALLATION

The COMBOT-G is suitable for surface wall and top mounting via included canopy. Snap together design allows for quick and easy installation. Knock-out chevrons for customized egress signage.

## DIMENSIONS



Weight : 7.00 lb

3170 Scott St, Vista, CA 92081  
Phone: 877-352-3948 | Fax: 877-352-3949  
info@exitlightco.com