

LED RECESSED ARCHITECTURAL EMERGENCY LIGHT | CEILING MOUNT

Code: EL-ARM



FEATURES

- UL 924, NEC, OSHA and NFPA 101 Life Safety Code
- Listed for damp location
- For use in Drop Ceiling Applications
- LED indicator light with push-to-test switch
- Narrow and Wide Lens
- Universal 120-277 VAC 50/60Hz
- Solid-state switching transistor - eliminates damage contacts

WARRANTY INFORMATION

Any component that fails due to manufacturer's defect is guaranteed for 1 year. The warranty only covers products installed and maintained in accordance with the instructions provided by their respective manufacturer and no warranty is made with respect to any of our products that are otherwise installed or maintained. For full warranty details, visit our Warranty Section.

The EL-ARM series combines traditional emergency lighting and energy efficiency LED performance for a maintenancefree, dependable design.



Conformance to Codes and Standards

The EL-ARM series is UL listed and meets or exceeds the following: UL 924, NEC, OSHA and NFPA 101 Life Safety Code requirements.

Compatible Battery: 6.2V 3200mAh LiFePO4

ORDERING INFORMATION

Series	Housing Color	Operation Type
EL-ARM	W (White)	ST (Self-Testing)

CONSTRUCTION

The EL-ARM Recessed Emergency Light is constructed from 20-gauge steel back box with junction box, trim plate is constructed from polycarbonate plastic. Friendly configuration design for quick and easy installation.

ILLUMINATION

The EL-ARM Recessed Emergency Light use long-lasting, efficient ultra bright white LEDs CCT 5000k. Equipped with 2 types of lenses for different types of illumination needs; wide and narrow lenses.

ELECTRICAL COMPONENTS

Universal voltage input 120-277 VAC 50/60Hz operation. LED display indicates AC/ON. An external push button test switch allows maintenance personnel to quickly determine the operational status of the unit. Features battery over discharge protection.

EMERGENCY OPERATION

Upon failure of the normal utility power, an internal solid-state transfer switch automatically provides uninterrupted emergency operation for at least 90 minutes. The fully automatic solid-state, two-rate charger initiates battery charging to recharge a discharged battery in 24 hours.

BATTERY - BATTERY BACKUP

The EL-ARM Recessed Emergency Light is designed with a maintenance-free 6.2V 3200mAh LiFePO4 battery that provides a minimum emergency duration of 90 minutes. Recharge time of the battery is 24 hours. Battery is only accessible from above the unit; access from an attic, crawl space, or drop ceiling tiles is recommended.

PHOTOMETRICS

Suggested mounting height of 9ft illuminates 1 footcandle (FC) **spaced at 75ft for a 3ft path of egress.**

Mounting height of 10ft illuminates 1 footcandle (FC) **spaced at 80ft for a 3ft path of egress.**

Mounting height of 12ft illuminates 1 footcandle (FC) **spaced at 78ft for a 3ft path of egress.**

Disclosure:

Spacing is measured in lab condition with an assumed open space, no obstruction and reflection rates of 80 (ceiling) / 50 (walls) / 20 (floor). Actual spacing may vary depending on what environment the fixture is installed in.

SELF-TESTING OPTION

Continuously monitors the AC power, battery supply voltage, emergency lamp and charging circuit. The multi-color LED indicator light will indicate failure and adjust when it has been corrected. Unit will automatically perform NFPA required monthly and annual testing. Refer to user manual for details.

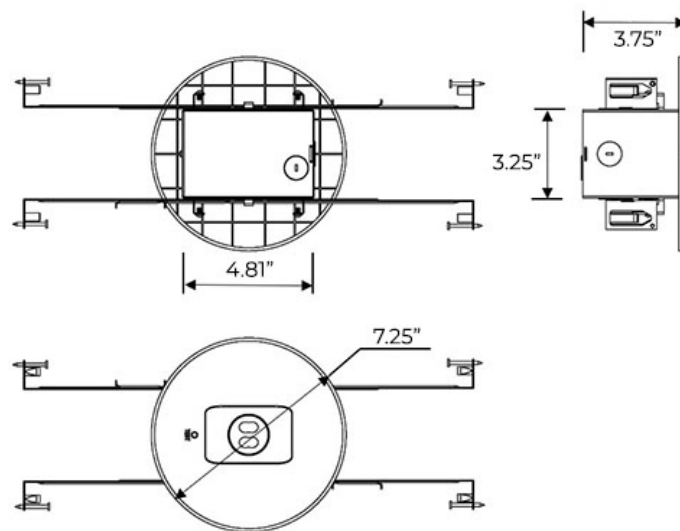
OPERATIONAL TEMPERATURE

Temperature Ratings	
Standard Option	50°F to 122°F

INSTALLATION

The EL-ARM is suitable for drop ceiling applications.

DIMENSIONS



Weight : 6.00 lb

