

# STEEL HOUSING CHICAGO APPROVED EMERGENCY LIGHT | 2 HEADS | LED LAMPS

Code: EL-CHLED



All new Steel Housing Emergency light for City of Chicago with remote head capable option. Includes maintenance free battery backup, works on either 120V or 277V. Remote capacity up to 10W.



**Compatible Remote Head(s):**

- RHB-L (Multi-Volt Option)
- RHB-WPL (Multi-Volt Option)

**FEATURES**

- UL 924, NEC, OSHA and NFPA 101 Life Safety Code
- UL Listed for Damp Locations
- Universal 120/277 VAC (60Hz) input
- Includes two adjustable LED lamps
- Remote Capacity of 10W on remote head capable models
- Automatic low voltage disconnect (LVD)
- Push-to-test switch
- Charge rate / power-on indicator light

**WARRANTY INFORMATION**

Any component that fails due to manufacturer’s defect is guaranteed for 1 year. The warranty only covers products installed and maintained in accordance with the instructions provided by their respective manufacturer and no warranty is made with respect to any of our products that are otherwise installed or maintained. For full warranty details, visit our Warranty Section.

**Conformance to Codes and Standards**

The EL-CHLED Emergency Light is UL listed and meets or exceeds the following: UL 924, NEC, OSHA and NFPA 101 Life Safety Code requirements.

**ORDERING INFORMATION**

Series	Housing Color	Operation Type	Model
EL-CHLED	W (White)	BB (Battery Backup)	10W
	B (Black)		20W

## CONSTRUCTION

The EL-CHLED series steel housing emergency light is constructed from 20-gauge steel with a white or black finish. Head lamps are also constructed from steel (glass lens).

## ILLUMINATION

The EL-CHLED series steel housing emergency light comes with 2 fully adjustable LED heads lamps. The unit is equipped with (2) 6V 5.3W LED lamps heads.

## ELECTRICAL COMPONENTS

Dual voltage input 120/277 VAC operation. LED display indicates AC/ON. An external push button test switch allows maintenance personnel to quickly determine the operational status of the unit. Unit offers surge protected, solid state circuitry.

## EMERGENCY OPERATION

Upon failure of the normal utility power, an internal solidstate transfer switch automatically provides uninterrupted emergency operation for at least 120 minutes. The fully automatic solid-state, two-rate charger initiates battery charging to recharge a discharged battery in 24 hours.

## BATTERY - BATTERY BACKUP

The EL-CHLED series steel housing emergency light is equipped with a maintenance-free 6V rechargeable sealed lead acid battery.

## OPERATIONAL TEMPERATURE

### Temperature Ratings

Series	Temperature
Battery Backup	20°C to 50°C / 68°F to 122°F

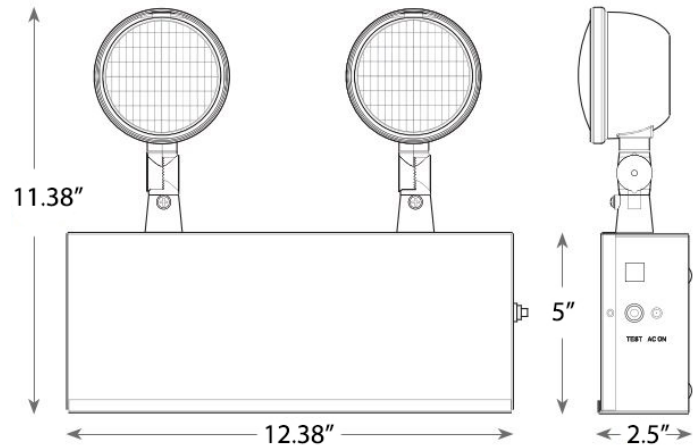
## REMOTE HEAD CAPABLE OPTION

The total capacity is 10W. This allows the EL-CHLED unit to supply power to additional 6V remote heads. These remote heads would then operate on the same emergency mode as the standard units (see Emergency Operation Section).

## INSTALLATION

The EL-CHLED series steel housing emergency light is suitable for wall installation. Includes universal knockout pattern on back plate. Side and top knockouts for conduit feed applications.

## DIMENSIONS



Weight : 10.00 lb

3170 Scott St, Vista, CA 92081  
Phone: 877-352-3948 | Fax: 877-352-3949  
info@exitlightco.com