

Flush or Adjustable LED Emergency Light

FEATURES

- Fully adjustable LED Heads
- Prismatic glare-free lens design for increased light distribution
- Injection molded, 5VA flame retardant thermoplastic housing
- 120/277 VAC operation
- LED indicator light with push-to-test switch
- Long life, maintenance-free NiCad battery
- Short circuit, voltage surge, brown out and low battery voltage disconnect protected
- Conduit mount knockout on top of housing and back plate, suitable for wall or ceiling mount
- Listed for damp location



The EL-F2 series gives *adjustable* a new meaning. One or both heads can be flush mounted or tilted out for a wider range of coverage.

WARRANTY

Any component that fails due to manufacturer's defect is guaranteed for 1 year. The warranty only covers products installed and maintained in accordance with the instructions provided by their respective manufacturer and no warranty is made with respect to any of our products that are otherwise installed or maintained. For full warranty details, visit our Warranty Section.



Ordering Information	
Series	Housing Color
EL-F2	White (incl)
	B (Black)

RELATED PRODUCT BAA-36



CONFORMANCE TO CODES AND STANDARDS

The EL-F2 series is UL listed and meets or exceeds the following: UL 924, NEC, OSHA and NFPA 101 Life Safety Code requirements.

CONSTRUCTION

The EL-F2 series is constructed from injection-molded, high-impact, engineering-grade, 5VA flame retardant thermoplastic. White housing is standard.

ILLUMINATION

EL-F2 heads use long-lasting, efficient ultra bright white LEDs. The lens is constructed with a high-performance smooth thermoplastic reflector. Prismatic glare-free lens design for increased light distribution.

ELECTRICAL COMPONENTS

Dual voltage input 120/277 VAC operation. LED display indicates AC/ON. An external push button test switch allows maintenance personnel to quickly determine the operational status of the unit. Unit offers surge protected, solid state circuitry.

EMERGENCY OPERATION

Upon failure of the normal utility power, an internal solid-state transfer switch automatically provides uninterrupted emergency operation for at least 90 minutes. The fully automatic solid-state, two-rate charger initiates battery charging to recharge a discharged battery in 24 hours.

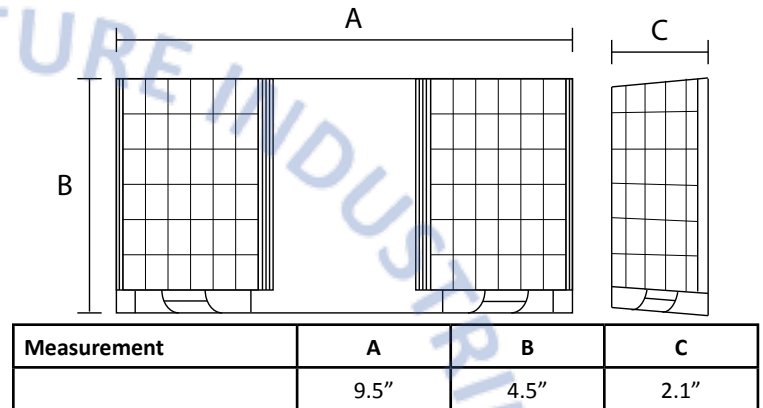
BATTERY

The EL-F2 series is designed with a maintenance-free 3.6V 700mAh NiCad battery that provides a minimum emergency duration of 90 minutes. Recharge time of the battery is 24 hours. Operational temperature range is 32°F (0°C) to 122°F (50°C).

INSTALLATION

The EL-F2 is suitable for wall or ceiling mount. Snap together design allows for quick and easy installation. Conduit mount knockout on top of housing and back plate.

DIMENSIONS

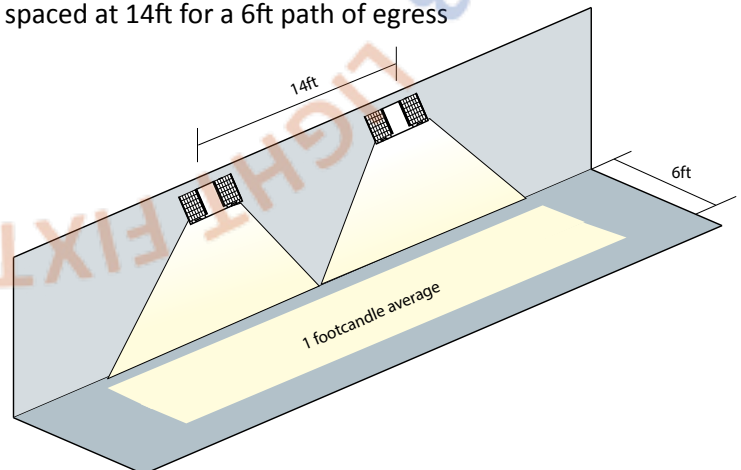
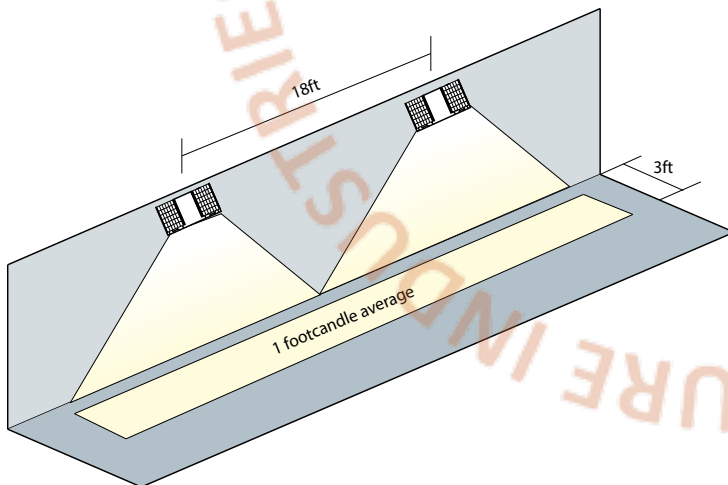


ELC

PHOTOMETRICS

Standard mounting height of 7.5ft multiple units illuminate 1 footcandle (FC) spaced at 18ft for a 3ft path of egress

At a mounting height of 7.5ft, multiple units illuminate 1 FC spaced at 14ft for a 6ft path of egress



lightFIXTURE INDUSTRIES

1497 Poinsettia Ave, Ste 155, Vista, CA 92081

Phone: 877-534-4621 Fax: 877-534-4624

Email: info@lightfixtureindustries.com