



# LED RECESSED ARCHITECTURAL EMERGENCY LIGHT | CEILING MOUNT | HIGH OUTPUT ADJUSTABLE LAMPS

Code: EL-LEG



The EL-LEG series combines traditional emergency lighting and energy efficient LED performance for a maintenance free, dependable design.



**Compatible Battery:** 3.6V 3200mAh LiFePO4

## FEATURES

- UL 924, NEC, OSHA and NFPA 101 Life Safety Code
- Listed for damp location
- LED indicator light with push-to-test switch
- Narrow and Wide Lens
- Universal 120-277 VAC 50/60Hz
- Solid-state switching transistor - eliminates damage contacts

## WARRANTY INFORMATION

Any component that fails due to manufacturer's defect is guaranteed for 1 year. The warranty only covers products installed and maintained in accordance with the instructions provided by their respective manufacturer and no warranty is made with respect to any of our products that are otherwise installed or maintained. For full warranty details, visit our Warranty Section.

## Conformance to Codes and Standards

The EL-LEG series is UL listed and meets or exceeds the following: UL 924, NEC, OSHA and NFPA 101 Life Safety Code requirements.

## ORDERING INFORMATION

Series	Trim Plate Color	Operation Type
EL-LEG	A (Aluminum)	BB (Battery Backup)
	W (White)	
	B (Black)	

## CONSTRUCTION

The EL-LEG Recessed Emergency Light is constructed from 20-gauge steel back box with junction box, trim plate is constructed out of aluminum. Friendly configuration design for quick and easy installation.

## ILLUMINATION

The EL-LEG Recessed Emergency Light use long-lasting, efficient ultra bright white LEDs CCT 5000k. Equipped with 2 adjustable LED lamps.

## ELECTRICAL COMPONENTS

Universal voltage input 120/277 VAC 50/60Hz operation. LED display indicates AC/ON. An external push button test switch allows maintenance personnel to quickly determine the operational status of the unit. Features battery over discharge protection.

## EMERGENCY OPERATION

Upon failure of the normal utility power, an internal solid-state transfer switch automatically provides uninterrupted emergency operation for at least 90 minutes. The fully automatic solid-state, two-rate charger initiates battery charging to recharge a discharged battery in 24 hours.

## BATTERY - BATTERY BACKUP

The EL-LEG Recessed Emergency Light is designed with a maintenance-free 3.6V 1800mAh LiFePO4 battery that provides a minimum emergency duration of 90 minutes. Recharge time of the battery is 24 hours.

## PHOTOMETRICS

Standard mounting height of 7.5ft illuminates 1 footcandle (FC) spaced at 42ft for a 3ft path of egress.

Standard mounting height of 10ft illuminates 1 footcandle (FC) spaced at 48ft for a 3ft path of egress.

### Disclosure:

Spacing is measured in lab condition with an assumed open space, no obstruction and reflection rates of 80 (ceiling) / 50 (walls) / 20 (floor). Actual spacing may vary depending on what environment the fixture is installed in.

## OPERATIONAL TEMPERATURE

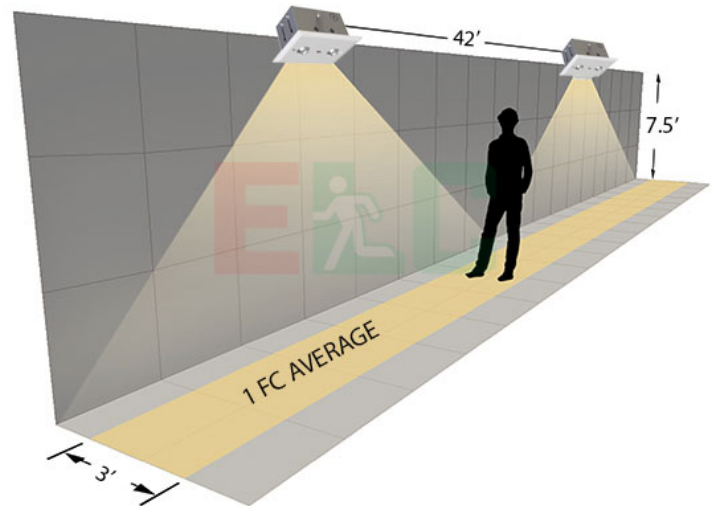
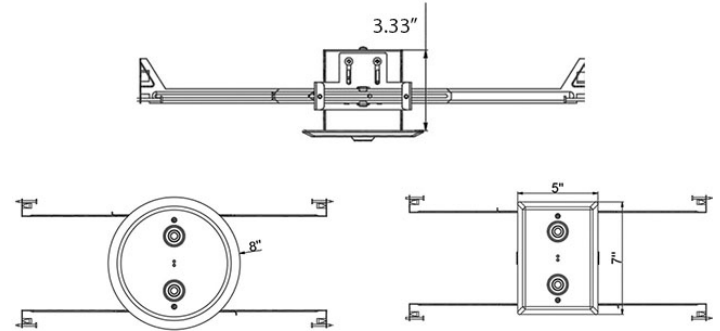
### Temperature Ratings

Standard Option	50°F to 104°F
-----------------	---------------

## INSTALLATION

The EL-LEG is suitable with drywall or drop ceiling mount installations.

## DIMENSIONS



3170 Scott St, Vista, CA 92081  
Phone: 877-352-3948 | Fax: 877-352-3949  
info@exitlightco.com