



The EL-M2 series contemporary design features reliable LED performance wrapped into a compact, stylish and economical package .



Compatible Battery: Standard: 3.6V 1000mAh
Remote Head: BAA-3618

Compatible Remote Head(s): [RHP-L-3V](#), [RHB-WPL-3V](#)

ORDERING INFORMATION

Series	Housing Color	Operation Type	Options
EL-M2	W (White)	BB (Battery Backup)	CEC (Title 20 CEC Compliant)
		RH (Remote Head Capable)	

FEATURES

- UL 924, NEC, OSHA and NFPA 101 Life Safety Code
- Damp location listed
- 120/277 VAC operation
- Two fully adjustable, glare-free LED lighting heads
- Push-to-test switch and status indicator
- Injection-molded, high impact, UV-stabilized, UL 94 VO thermoplastic housing
- Lightweight with snap-together construction for easy installation
- Universal mounting plate with quick-connect feature

WARRANTY INFORMATION

Any component that fails due to manufacturer's defect is guaranteed for 1 year. The warranty only covers products installed and maintained in accordance with the instructions provided by their respective manufacturer and no warranty is made with respect to any of our products that are otherwise installed or maintained. For full warranty details, visit our [Warranty Section](#).

Conformance to Codes and Standards

The EL-M2 series is UL listed and meets or exceeds the following: UL 924, NEC, OSHA and NFPA 101 Life Safety Code requirements.

CONSTRUCTION

The EL-M2 series is constructed from injection molded, impact- and scratch-resistant and corrosion-proof UL 94 V-0 flame retardant thermoplastic housing. White housing is standard.

ILLUMINATION

The battery backup and remote head capable series uses two 1.5W LED lamp heads each equipped with 12 series-parallel white LEDs. Lamp heads are on track-and-swivel guides. Glare-free lenses provide clear light source to ensure performance in emergency situations.

ELECTRICAL COMPONENTS

Dual voltage input 120/277 VAC operation. LED display indicates AC/ON. An external push button test switch allows maintenance personnel to quickly determine the operational status of the unit. Unit offers surge protected, solid state circuitry.

EMERGENCY OPERATION

Upon failure of the normal utility power, an internal solidstate transfer switch automatically provides uninterrupted emergency operation for at least 90 minutes. The fully automatic solid-state, two-rate charger initiates battery charging to recharge a discharged battery in 24 hours.

BATTERY - BATTERY BACKUP

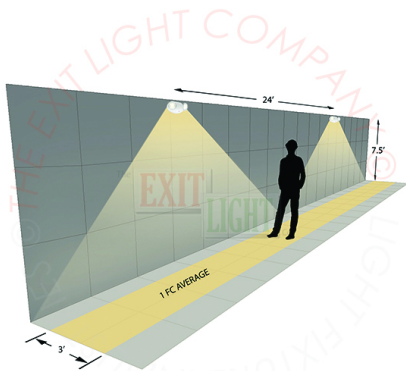
The EL-M2 Emergency Light series (Battery Backup Model) is designed with a maintenance-free 3.6V 1000mAh NiCad battery that provides a minimum emergency duration of 90 minutes. Remote Head capable unit is designed with a maintenance-free 3.6V 1800mAh Ni-Mh battery that provides 90 minute battery backup time (180 minute battery backup time if no remote heads are connected). Recharge time of the battery is 24 hours. Operational temperature range is 32°F (0°C) to 104°F (40°C).

PHOTOMETRICS

Battery Backup and Remote Head Capable Units Only

Standard mounting height of 7.5ft illuminates 1 footcandle (FC) spaced at 24ft for a 3ft path of egress.

Standard mounting height of 7.5ft illuminates 1 footcandle (FC) spaced at 18ft for a 6ft path of egress.



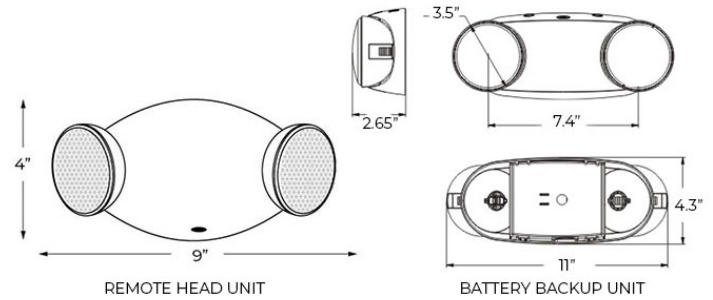
REMOTE HEAD CAPABLE OPTION

The remote head capability option allows the EL-M2 unit to supply power to up to two additional LED remote heads. The remote heads would then operate on the same emergency mode as the standard units (see Emergency Operation Section).

INSTALLATION

The EL-M2 is suitable for wall or ceiling installation via included mounting plate. Snap together design allows for quick and easy installation.

DIMENSIONS



Weight : 3.00 lb