



An adjustable, ultra-bright halogen Recessed Emergency Light



Compatible Battery: [B6V4A](#)

ORDERING INFORMATION

Series	Housing Color	Operation Type	Can Type
EL-RG6	White	BB (Battery Backup)	NW (6" New Work)
			REM (6" Remodel)

CONSTRUCTION

The EL-RG6 is constructed with a steel mounting frame and 6" steel recessed housing with mounting bar hangers. The impact-resistant thermoplastic adjustable trim is securely attached to housing with spring clips. Remodel can option is also constructed from durable steel. Junction box is designed with 3/4" knockouts for AC input.

ILLUMINATION

The EL-RG6 series has an adjustable, ultra-bright 1.5W LED lamp; The sealed beam gimbal trim with smooth chrome-plated reflector and plastic lens offers optimal light distribution.

ELECTRICAL COMPONENTS

Dual 120/277 voltage. Charge rate/power "ON" LED indicator light and push-to-test switch for mandated code compliance testing. LVD (low voltage disconnect) prevents battery from deep discharge.

EMERGENCY OPERATION

Upon failure of the normal utility power, an internal solid-state transfer switch automatically provides uninterrupted emergency operation for at least 90 minutes. The fully automatic solid-state, two-rate charger initiates battery charging to recharge a discharged battery in 24 hours.

BATTERY - BATTERY BACKUP

The EL-RG6 Emergency Light comes with maintenance-free 6V 4.5Ah rechargeable sealed lead acid batteries.

FEATURES

- UL924, NFPA 101 Life Safety Code, NEC, OSHA, Local and State Codes.
- 120/277V operation
- Aluminum housing with plastic gimbal trim
- IC rated for direct contact with insulation
- Uses one 6V 8W halogen lamp
- LED indicator light and test switch
- Low voltage battery disconnect protected
- Housing adjusts 1.375" to accommodate various ceiling thicknesses

WARRANTY INFORMATION

Any component that fails due to manufacturer's defect is guaranteed for 1 year. The warranty only covers products installed and maintained in accordance with the instructions provided by their respective manufacturer and no warranty is made with respect to any of our products that are otherwise installed or maintained. For full warranty details, visit our Warranty Section.

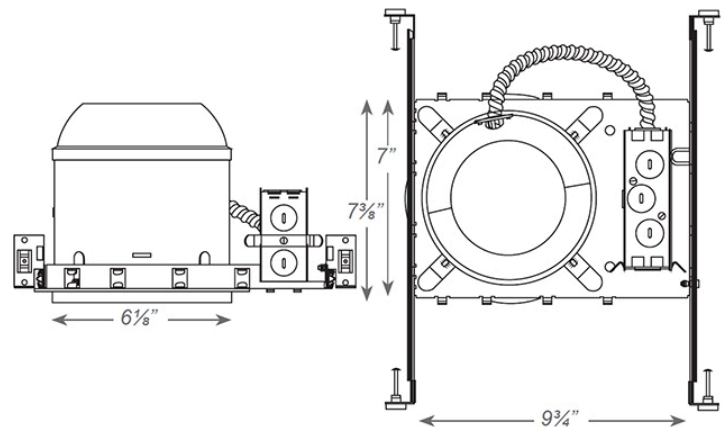
Conformance to Codes and Standards

The EL-RG6 series is UL listed and meets or exceeds the following: UL924, NFPA 101 Life Safety Code, NEC, OSHA, Local and State Codes.

INSTALLATION

The EL-RG6 is available with your choice of a new work can or a remodel can (retrofit can). New work cans are designed for new construction projects, where the housing is installed before the ceiling is finished and securely attached to the framing. Remodel cans, on the other hand, are ideal for retrofit applications, where the ceiling is already finished. They are installed by cutting an opening in the ceiling and securing the housing with mounting clips, making them a convenient solution for upgrades or renovations.

DIMENSIONS



Weight : 9.00 lb