



NYC EMERGENCY LIGHT - STEEL - 2 HEAD - LED

Code: EL-STLED



Steel Housing Emergency Light approved for New York City. Heavy duty Construction. An efficient and secure LED Heavy Duty Emergency Light.



FEATURES

- UL 924, NEC, OSHA and NFPA 101 Life Safety Code
- Approved for New York City Code requirements
- Rugged 20 gauge steel housing
- Universal 120/277 VAC input
- Includes two adjustable LED lamp heads
- Brown-out protection
- Automatic low voltage disconnect (LVD)
- Push-to-test switch
- Charge rate / power-on indicator light

WARRANTY INFORMATION

Any component that fails due to manufacturer's defect is guaranteed for 1 year. The warranty only covers products installed and maintained in accordance with the instructions provided by their respective manufacturer and no warranty is made with respect to any of our products that are otherwise installed or maintained. For full warranty details, visit our Warranty Section.

Conformance to Codes and Standards

The EL-STLED series is UL listed and meets or exceeds the following: UL 924, NEC, OSHA and NFPA 101 Life Safety Code requirements.

ORDERING INFORMATION

Series	Housing Color	Voltage	Operation Type
EL-STLED	White	120/277V	BB (Battery Backup)

CONSTRUCTION

The EL-STLED series is constructed from powder-coated 20-gauge steel with injection-molded thermoplastic heads. White housing is standard.

ILLUMINATION

The EL-STLED uses two LED lamps. High-performance smooth metal reflector and glass lens for optimal light distribution.

ELECTRICAL COMPONENTS

Dual voltage input 120/277 VAC operation. LED display indicates AC/ON. An external push button test switch allows maintenance personnel to quickly determine the operational status of the unit. Unit offers surge protected, solid state circuitry.

EMERGENCY OPERATION

Upon failure of the normal utility power, an internal solidstate transfer switch automatically provides uninterrupted emergency operation for at least 90 minutes. The fully automatic solid-state, two-rate charger initiates battery charging to recharge a discharged battery in 24 hours.

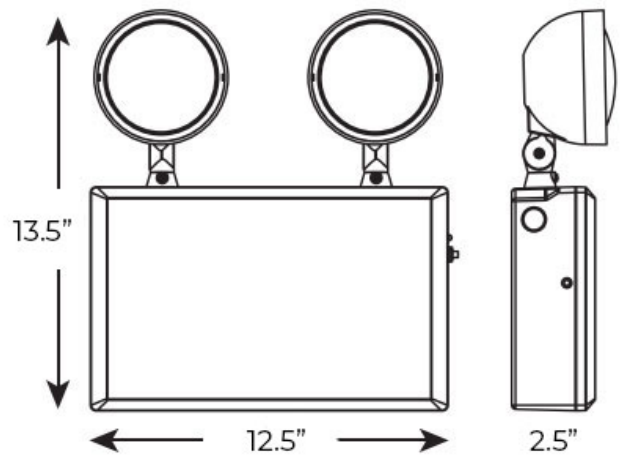
BATTERY - BATTERY BACKUP

The EL-STLED series is designed with a maintenance-free NiCad battery that provides a minimum emergency duration of 90 minutes. Recharge time of the battery is 24 hours. Battery Replacement - 9.6V 1800Ah NiCad Battery.

INSTALLATION

The EL-SLTED is suitable for wall installation via included mounting plate. Snap together design allows for quick and easy installation.

DIMENSIONS



Weight : 10.00 lb

3170 Scott St, Vista, CA 92081
Phone: 877-352-3948 | Fax: 877-352-3949
info@exitlightco.com