

CONTEMPORARY LED EMERGENCY LIGHT | WHITE HOUSING

Code: EL-C2



The EL-C2 Emergency LED Unit is a compact and dependable emergency lighting solution designed for commercial and industrial applications. Featuring dual adjustable LED lamp heads, dual-voltage 120/277VAC operation, and a long-life rechargeable battery, the EL-C2 provides a minimum of 90 minutes of emergency illumination during power outages. Available with manual testing or self-diagnostic capabilities, it offers reliable, code-compliant emergency lighting in a durable thermoplastic housing.



Compatible Battery: 3.6V 800mAh

ORDERING INFORMATION

Series	Housing Color	Operation Type
EL-C2	W (White)	BB (Battery Backup)
		ST (Self-Testing)

FEATURES

- UL 924, NEC, OSHA and NFPA 70 and NFPA 101 Life Safety Code
- Complies with CEC Title 20 Regulations
- 120/277VAC 60Hz
- All LED light! No SLA batteries, uses long lasting NiCads that are very low maintenance
- Two fully adjustable, glare-free LED lighting heads
- Injection-molded, high impact, UV-stabilized, UL 94 V-O thermoplastic housing
- Lightweight with snap-together construction for easy installation

WARRANTY INFORMATION

Any component that fails due to manufacturer's defect is guaranteed for 1 year. The warranty only covers products installed and maintained in accordance with the instructions provided by their respective manufacturer and no warranty is made with respect to any of our products that are otherwise installed or maintained. For full warranty details, visit our Warranty Section.

Conformance to Codes and Standards

The EL-C2 LED Emergency Light is UL listed and meets or exceeds the following: UL 924, NEC, OSHA and NFPA 70 and NFPA 101 Life Safety Code requirements.

CONSTRUCTION

The EL-C2 light is constructed from injection molded, impact- and scratch-resistant and corrosion-proof UL 94 V-0 flame retardant thermoplastic housing. White housing is standard.

ILLUMINATION

The EL-C2 utilizes high-efficiency SMD 2835 LEDs with a 5700K color temperature and an L70 rated life of 50,000 hours, providing bright, reliable emergency lighting. Standard-output models feature 1-watt LED heads and deliver up to 180 initial lumens upon emergency operation.

ELECTRICAL COMPONENTS

Dual voltage input 120/277 VAC operation. LED display indicates AC/ON. An external push button test switch allows maintenance personnel to quickly determine the operational status of the unit. Unit offers surge protected, solid state circuitry.

EMERGENCY OPERATION

Upon failure of the normal utility power, an internal solidstate transfer switch automatically provides uninterrupted emergency operation for at least 90 minutes. The fully automatic solid-state, two-rate charger initiates battery charging to recharge a discharged battery in 24 hours.

BATTERY - BATTERY BACKUP

The EL-C2 emergency light fixture is designed with a maintenance-free 3.6V 800mAh NiCad battery that provides a minimum emergency duration of 90 minutes. Recharge time of the battery is 24 hours.

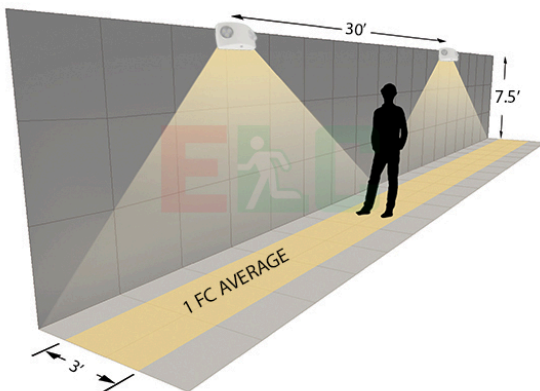
PHOTOMETRICS

Suggested mounting height of 7.5ft illuminates 1 footcandle (FC) spaced at 30ft for a 3ft path of egress.

Mounting height of 10ft illuminates 1 footcandle (FC) spaced at 26ft for a 3ft path of egress.

Disclosure:

Spacing is measured in lab condition with an assumed open space, no obstruction and reflection rates of 80 (ceiling) / 50 (walls) / 20 (floor). Actual spacing may vary depending on what environment the fixture is installed in.



SELF-TESTING OPTION

Continuously monitors AC power, battery condition, charging circuit, transfer circuitry, and emergency lamp operation. A dual-color LED indicator provides visual status and fault notifications, helping simplify maintenance and troubleshooting. The unit automatically performs NFPA-required monthly and annual self-testing routines and indicates any detected faults. Refer to the installation manual for complete self-diagnostic functions and testing procedures.

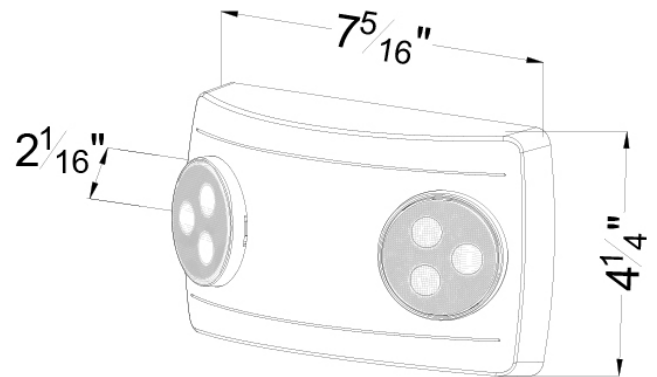
OPERATIONAL TEMPERATURE

Temperature Ratings	
Standard Option	50°F to 104°F

INSTALLATION

The EL-C2 is suitable for wall or ceiling installation via included mounting plate. Snap together design allows for quick and easy installation.

DIMENSIONS



Weight : 2.00 lb

ELECTRICAL INFORMATION

Series	Input Voltage	Power Consumption	Current	Discharge Duration
EL-C2	120/277VAC 60Hz	4W (120V) / 5W (277V)	58mA (120V) / 72mA (277V)	90 Minutes

3170 Scott St, Vista, CA 92081

Phone: 877-352-3948 | Fax: 877-352-3949

info@exitlightco.com