

EMERGENCY LIGHT - STEEL - 2 HEAD - APPROVED FOR CHICAGO

Code: CHEL



An efficient Steel Housing Emergency Light approved for City of Chicago.



FEATURES

- UL 924, NEC, OSHA and NFPA 101 Life Safety Code
- City of Chicago approved
- Rugged 20 gauge steel housing
- 2 Lamps (6V/12V 7.2W each)
- Dual voltage transformer 120/277V
- Battery-lockout circuit
- 6V Sealed lead calcium maintenance-free
- Remote Head Capable (50W and 100W model only)

WARRANTY INFORMATION

Any component that fails due to manufacturer's defect is guaranteed for 1 year. The warranty only covers products installed and maintained in accordance with the instructions provided by their respective manufacturer and no warranty is made with respect to any of our products that are otherwise installed or maintained. For full warranty details, visit our Warranty Section.

Conformance to Codes and Standards

The CHEL series is UL listed and meets or exceeds the following: UL 924, NEC, OSHA and NFPA 101 Life Safety Code requirements.

ORDERING INFORMATION

Series	Housing Color	Voltage	Operation Type	Model
CHEL	White	120V	BB (Battery Backup)	6V 27W
	Black	277V		6V 50W
				6V 100W
				12V 50W
				12V 100W

CONSTRUCTION

The CHEL series is constructed from durable 20-gauge steel. White and Black housing are available.

ILLUMINATION

Emergency lamps use either 2 6V or 12V 7.2W lamps. The lamps are fully adjustable and use bi-pin halogen lamps.

ELECTRICAL COMPONENTS

Dual voltage input 120/277 VAC operation. LED display indicates AC/ON. An external push button test switch with battery backup units allows maintenance personnel to quickly determine the operational status of the unit. Unit offers surge protected, solid state circuitry

EMERGENCY OPERATION

Upon failure of the normal utility power, an internal solidstate transfer switch automatically provides uninterrupted emergency operation for at least 90 minutes. The fully automatic solid-state, two-rate charger initiates battery charging to recharge a discharged battery in 24 hours.

BATTERY - BATTERY BACKUP

The CHEL series is designed with a maintenance-free 6V 12Ah battery that provides a minimum emergency duration of 90 minutes. Recharge time of the battery is 24 hours. Operational temperature range is 68°F (20°C) to 122°F (50°C).

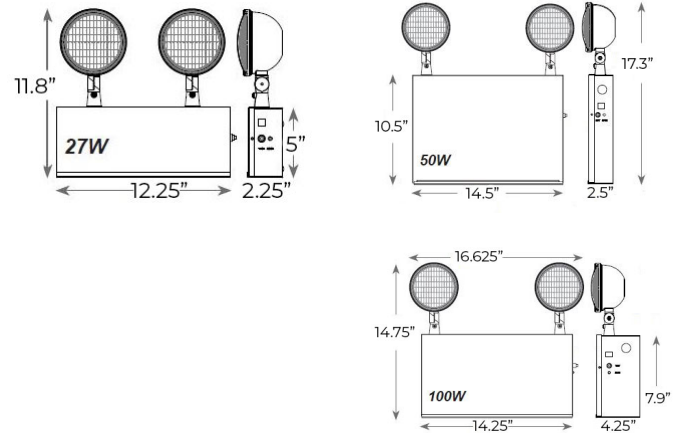
REMOTE HEAD CAPABLE OPTION

The CHEL emergency light series offers remote head capacity of 26W and 76W for the 50W and 100W models respectively. This option allows the units to operate up to 2 additional remote heads. Please refer to "Related Products" to view the list of compatible remote heads.

INSTALLATION

The CHEL is suitable for wall mount only. Each model has side and top knockouts for conduit feed applications.

DIMENSIONS



3170 Scott St, Vista, CA 92081
Phone: 877-352-3948 | Fax: 877-352-3949
info@exitlightco.com