



EMERGENCY LIGHT - 6 VOLT 50 OR 100 WATT | REMOTE HEAD CAPABILITY

Code: ELCEL-HD6



FEATURES

- UL 924, NEC, OSHA and NFPA 101 Life Safety Code
- Universal 120/277 VAC (60Hz) input
- Compact low profile design in neutral finish
- Includes two adjustable 6V 7.2 watts lamp heads
- Environmentally-coated, solid state charger
- Automatic low voltage disconnect (LVD)
- Push-to-test switch
- Charge rate / power-on indicator light

WARRANTY INFORMATION

Any component that fails due to manufacturer's defect is guaranteed for 1 year. The warranty only covers products installed and maintained in accordance with the instructions provided by their respective manufacturer and no warranty is made with respect to any of our products that are otherwise installed or maintained. For full warranty details, visit our Warranty Section.

Conformance to Codes and Standards

The ELCEL-HD6 Emergency Light is UL listed and meets or exceeds the following: UL 924, NEC, OSHA and NFPA 101 Life Safety Code requirements.

An efficient and secure 6V Heavy Duty Emergency Light. Operates up to 4 additional remote heads (4 hours operation with no additional heads, 2 hours with (2) 7.2 watts remote heads, 1.5 hours with (4) 7.2 watts remote heads)



Compatible Battery: B6V12A

Compatible Remote Head(s): ELCRH-6V, ELCRHR-6V, and ELCRH-WP-6V

ORDERING INFORMATION

Series	Housing Color	Operation Type	Remote Capacity	Lamp Wattage	Options
ELCEL-HD6	BE (Beige)	BB (Battery Backup)	50W (50 Watts)	7W (7.2 Watts)	IH (Internal Heater 15°F to 104°F)
			100W (100 Watts)	9W (9 Watts)	USA (Assembled in USA)

Example: ELCEL-HD6-BE-BB-50W-7W-USA

CONSTRUCTION

The ELCEL-HD6 Industrial Emergency Light has an Injection-molded, engineering-grade, 5VA flame retardant, high-impact thermoplastic construction housing.

ILLUMINATION

The ELCEL-HD6 Industrial Emergency Light comes with 2 fully adjustable 6V lamps.

ELECTRICAL COMPONENTS

Dual voltage input 120/277 VAC operation. LED display indicates AC/ON. An external push button test switch allows maintenance personnel to quickly determine the operational status of the unit. Unit offers surge protected, solid state circuitry.

EMERGENCY OPERATION

Upon failure of the normal utility power, an internal solidstate transfer switch automatically provides uninterrupted emergency operation for at least 90 minutes. The fully automatic solid-state, two-rate charger initiates battery charging to recharge a discharged battery in 24 hours.

BATTERY - BATTERY BACKUP

The ELCEL-HD6 Emergency Light comes with maintenance-free 6V 12Ah rechargable sealed lead acid batteries. 50W units are equipped with two 6V batteries and 100W units are equipped with four 6V batteries.

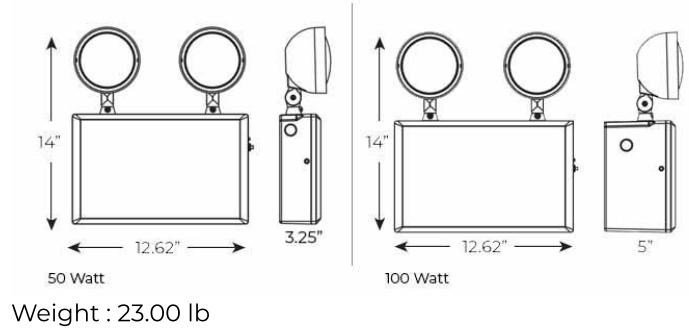
OPERATIONAL TEMPERATURE

Temperature Ratings	
Series	Temperature
Standard Option	25°C to 40°C / 77°F to 104°F
Expanded Temperature Rating	-9°C to 40°C / 15°F to 104°F

INSTALLATION

The ELCEL-HD6 Industrial Emergency Light is suitable for wall installation via included mounting plate includes side and top knockouts for conduit feed applications.

DIMENSIONS



3170 Scott St, Vista, CA 92081
Phone: 877-352-3948 | Fax: 877-352-3949
info@exitlightco.com