

STEEL EMERGENCY LIGHT - MULTI-HEAD - NEW YORK CITY CODE

Code: ELCEL-ST54



FEATURES

- UL 924 and New York City Code requirements
- Universal 120/277 VAC input
- Rugged 20 gauge steel housing
- Includes two adjustable 12V 12 watts lamp heads
- Brown-out protection
- Automatic low voltage disconnect (LVD)
- Push-to-test switch
- Charge rate / power-on indicator light

WARRANTY INFORMATION

Any component that fails due to manufacturer's defect is guaranteed for 1 year. The warranty only covers products installed and maintained in accordance with the instructions provided by their respective manufacturer and no warranty is made with respect to any of our products that are otherwise installed or maintained. For full warranty details, visit our Warranty Section.



Conformance to Codes and Standards

The ELCEL-ST54 is UL listed and meets or exceeds the following: UL 924 and New York City Code requirements.

ORDERING INFORMATION

Series	Housing Color	Operation Type	Heads
ELCEL-ST54	W (White)	BB (Battery Backup)	2H (2 Heads)
			3H (3 Heads)

CONSTRUCTION

The ELCEL-ST54 series is constructed of 20-gauge die formed cold rolled steel housing

ILLUMINATION

The ELCEL-ST54 series is energy efficient, featuring 2 fully adjustable incandescent lamp heads. (3rd head is optional)

ELECTRICAL COMPONENTS

Dual voltage input 120/277 VAC operation. LED display indicates AC/ON. An external push button test switch allows maintenance personnel to quickly determine the operational status of the unit.

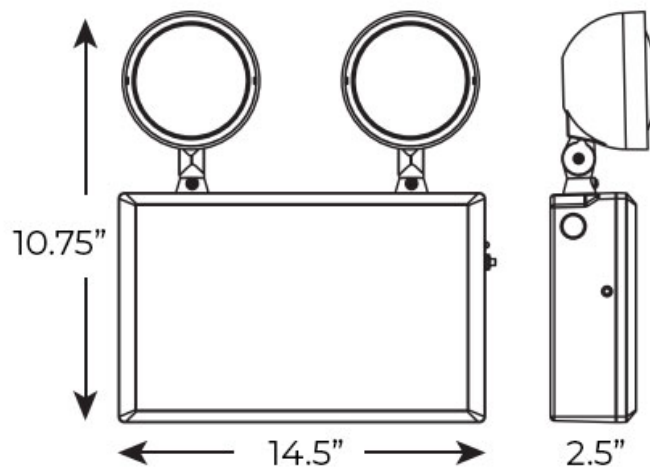
EMERGENCY OPERATION

Upon failure of the normal utility power, an internal solidstate transfer switch automatically provides uninterrupted emergency operation for at least 90 minutes. The fully automatic solid-state, two-rate charger initiates battery charging to recharge a discharged battery in 24 hours.

INSTALLATION

The ELCEL-ST54 series unit is suitable for surface wall and end mounting. Suitable for indoor installation.

DIMENSIONS



Weight : 20.00 lb

3170 Scott St, Vista, CA 92081
Phone: 877-352-3948 | Fax: 877-352-3949
info@exitlightco.com