

STEEL EMERGENCY LIGHT

Code: ELCEL-XLL



Combines performance and dependability into a rugged 20 gauge enclosure. Available in a wide variety of battery wattages and lamp styles to compliment any application. When ordering, specify voltage, wattage, number and type of lamp heads, housing color and options (see below for options and catalog code).



FEATURES

- ETL Listed to Meet UL 924 Standards, meets or exceeds NEC, OSHA and NFPA Life Safety Code 101 standards
- Meets stringent New York City and City of Chicago codes
- Dual 120/277 VAC input
- Rugged 20 gauge steel housing in corrosion resistant epoxy powder coated finish
- Surge protected, solid state circuitry
- Time delay (optional) allows lamp heads to stay illuminated for 15 minutes following restoration of AC power
- Indoor use only; operating temperature: 65-85°F / 19-30°C
- Maintenance-free battery
- Battery lockout circuit allows battery connection even when AC power is not available
- Low voltage disconnect (LVD)
- Charge rate / power on indicator

WARRANTY INFORMATION

Any component that fails due to manufacturer's defect is guaranteed for 1 year. The warranty only covers products installed and maintained in accordance with the instructions provided by their respective manufacturer and no warranty is made with respect to any of our products that are otherwise installed or maintained. For full warranty details, visit our Warranty Section.

Conformance to Codes and Standards

ETL listed to meet UL 924 standards. Meets or exceeds N.E.C. OSHA, and N.F.P.A. Life Safety Code 101 standards.

ORDERING INFORMATION

Series	Housing Color	Voltage, Wattate, & Lamp Heads	Self-Testing Option	Time Delay
ELCEL-XLL	W (White)	6V 18W 2-Heads 7.2W Lamps	NST (No Self-Testing)	NTD (No Time Delay)
	B (Black)	6V 27W 2-Heads 7.2W Lamps	STS (Self-Testing-Silent)	120TD (120V Time Delay)
		6V 36W 2-Heads 9W Lamps	STA (Self-Testing-Audible)	277TD (277V Time Delay)
		6V 54W No Heads		
		6V 54W 2-Head 9W Lamps		
		12V 54W No Heads		
		12V 54W 2-Head 9W Lamps		
		12V 72W No Heads		
		12V 72W 2-Heads 9W Lamps		
		12V 72W 3-Heads 9W Lamps		
		12V 100W No Heads		

		12V 100W 2-Heads 9W Lamps		
		12V 100W 3-Heads 9W Lamps		

CONSTRUCTION

Rugged 20 gauge steel housing available in white or black corrosion resistant epoxy powder coated finish.

ELECTRICAL COMPONENTS

120/277 VAC dual voltage input (220 v 50Hz special order available) with surge protected, solid state circuitry.

EMERGENCY OPERATION

Charging system includes low voltage disconnect (LVD), temperature compensation, AC lockout, brownout protection, AC indicator lamp, and test switch. High charge and AC ready.

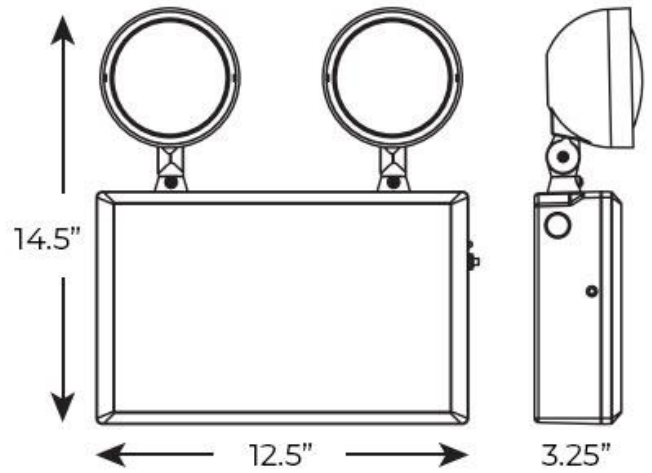
BATTERY - BATTERY BACKUP

Maintenance free, sealed lead acid battery (indoor use only - operating temperature 65-85F/19-30C) provides 90 minute emergency run time. Battery lockout circuit allows battery connection even when AC power is not available.

SELF-TESTING OPTION

Optional Self Test allows unit to automatically perform state and federal mandated testing.

DIMENSIONS



Weight : 15.00 lb

3170 Scott St, Vista, CA 92081
Phone: 877-352-3948 | Fax: 877-352-3949
info@exitlightco.com