

LARGE SHALLOW WALL PACK WITH EMERGENCY OPTION

Code: ELCELF-WP



FEATURES

- Wall pack fixture with optional emergency light and battery backup
- CSA Listed for Damp or Wet Location
- 120V operation
- Die cast aluminum housing
- UV stabilized polycarbonate lens
- (2) 42W 4-pin CFL
- Maintenance-free battery ballast for emergency operation units
- Charge rate / power on indicator and test button with emergency ballast option
- **This product is custom made-to-order with a 2 week lead-time. As such it is final sale and no returns are allowed.**

WARRANTY INFORMATION

Any component that fails due to manufacturer's defect is guaranteed for 1 year. The warranty only covers products installed and maintained in accordance with the instructions provided by their respective manufacturer and no warranty is made with respect to any of our products that are otherwise installed or maintained. For full warranty details, visit our Warranty Section.



ORDERING INFORMATION

Series	Housing Color	Operation Type	Photocell
ELCELF-WP	BZ (Bronze)	LFO (Light Fixture Only)	None
		LEB (Light with Emergency Ballast)	120VP (120V Photocell)
		ELO (Emergency Light Only)	277VP (277V Photocell)

Example: ELCEL-WP-BZ-LFO-120VP

CONSTRUCTION

Die Cast Aluminum Housing & Hinged Front Frame, ½" Coin Plugs with O-rings for Conduit & Photocell, Textured Architectural Bronze Powdercoat Finish Over a Chromate Conversion Coating

ELECTRICAL COMPONENTS

High Pressure Sodium: 100 to 250w

Metal Halide: 100w

Pulse Start: 150 to 250w

Compact Fluorescent: 1 x 26 to 42w, 2 x 26 to 42w

EMERGENCY OPERATION

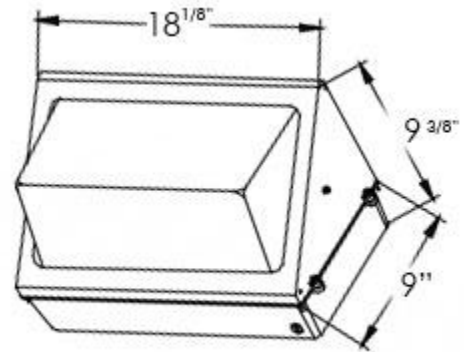
Light Fixture w/Emergency Ballast: unit operates as a standard (2) 42W CFL light fixture, in the event of a power failure, the emergency battery ballast option will keep the fixture illuminated for industry standard 90 minutes.

Emergency Light Only: unit operates as emergency fixture only. In the event of a power failure, the emergency battery ballast option will illuminate for industry standard 90 minutes.

INSTALLATION

Cast-in Template for Mounting Directly Over a 4" Recessed Outlet Box, or Use ½" Surface Conduit.

DIMENSIONS



Weight : 25.00 lb

3170 Scott St, Vista, CA 92081
Phone: 877-352-3948 | Fax: 877-352-3949
info@exitlightco.com