

EXPLOSION PROOF EDGE LIT EXIT SIGN

Code: ELCELSM-C1D1



FEATURES

- UL 1598A, 844, 924. IP 65, marine outside type
- NFPA 70 and NFPA 101 Compliant
- Class 1 Div 1 Groups C & D, Class 1 Div 2 A, B, C, D
- 120/277 VAC dual voltage
- Pendant ceiling mount
- Copper-free cast aluminum housing with baked on epoxy powder finish with 1/2" NPT conduit hubs
- UL Wet location listed (Indoor & Outdoor)
- Minimum start 0°C temperature
- LED Charging indicator light visible through lens
- Lead time is 4-6 weeks. Call for possible exceptions

WARRANTY INFORMATION

Any component that fails due to manufacturer's defect is guaranteed for 1 year. The warranty only covers products installed and maintained in accordance with the instructions provided by their respective manufacturer and no warranty is made with respect to any of our products that are otherwise installed or maintained. For full warranty details, visit our Warranty Section.

Conformance to Codes and Standards

The ELCELSM-C1-D1 series is UL listed and meets or exceeds the following: UL 924, UL 1598, UL 844, IP65, Marine Outside and NFPA 101 NFPA 70 Life Safety Code requirements.

The ELCELSM-C1-D1-R series is designed for indoors and outdoors where flammable gases or vapors or combustible dusts exist and create a hazardous locations.



ORDERING INFORMATION

Series	Operation Type	LED Color	Sides
ELCELSM-C1-D1	AC (AC Only)	Red	Single Sided
	BB (Battery Backup)	Green	Double Sided

CONSTRUCTION

The ELCELSM-C1-D1 series light is constructed from A356T6 aluminum with baked-on gray epoxy finish.

ELECTRICAL COMPONENTS

Dual voltage input 120/277 VAC operation. LED display indicates AC/ON. An external push button test switch allows maintenance personnel to quickly determine the operational status of the unit.

Max Input Power:

Red no battery - 1.5 Watts

Red with battery - 2.5 Watts

Green no battery - 2.3 Watts

Green with battery - 3.0 Watts

EMERGENCY OPERATION

Upon failure of the normal utility power, an internal solid-state transfer switch automatically provides uninterrupted emergency operation for at least 2.5 hours.

COLD WEATHER RATED

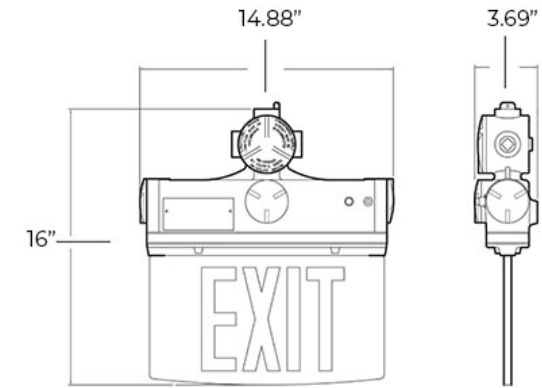
Temperature Rating Operation 50°F - 131°F (Red LED)

Temperature Rating Operation 50°F - 104°F (Green LED)

INSTALLATION

The ELCELSM-C1 D1 series is designed for wall, pendant, and end mount installation.

DIMENSIONS



Weight : 20.00 lb

3170 Scott St, Vista, CA 92081
Phone: 877-352-3948 | Fax: 877-352-3949
info@exitlightco.com