



8" NYC EDGE LIT RECESSED MOUNT LED EXIT SIGN

Code: ELCNYCELSM-RM



The ELCNYCELSM-R-RM edge lit series offers an attractive and functional design while still completely self-contained.



FEATURES

- UL 924, NEC, OSHA and NFPA 101 Life Safety Code
- New York City Approved
- 3 watts (AC only units) and 5 watts (battery backup units) operation
- Universal arrow mounts
- AC On indicator light and push-to-test switch (battery backup models)
- 120/277V operation
- **Please allow 3-5 days for black or white finishes - Call for rush orders**

WARRANTY INFORMATION

Any component that fails due to manufacturer's defect is guaranteed for 1 year. The warranty only covers products installed and maintained in accordance with the instructions provided by their respective manufacturer and no warranty is made with respect to any of our products that are otherwise installed or maintained. For full warranty details, visit our Warranty Section.

Conformance to Codes and Standards

The NYCELSM-R-RM Exit Sign series is UL listed and meets or exceeds the following: UL 924, NEC, OSHA, and NFPA 101 Life Safety Code requirements

ORDERING INFORMATION

Series	Letter Color	Housing Color	Operation Type	Sides
ELCNYCELSM	R (Red)	A (Aluminum)	BB (Battery Backup)	S (Single Side)
	G (Green)	W (White)	AC (AC Only)	DM (Double Sided Mirrored)
		B (Black)		

CONSTRUCTION

The ELCNYCELSM-R-RM Edge Lit Exit Sign series signage panels are constructed of highpolish injection molded virgin acrylic. Mylar divider standard on double sided units. Standard housing finish is aluminum. Also available with white or black housing finish.

ELECTRICAL COMPONENTS

Dual voltage input 120/277 VAC operation. 220V/50Hz Special voltage available. LED display indicates AC/ON. An external push button test switch on battery backup units allows maintenance personnel to quickly determine the operational status of the unit. Unit offers surge protected, solid state circuitry.

EMERGENCY OPERATION

Upon failure of the normal utility power, an internal solidstate transfer switch automatically provides uninterrupted emergency operation for at least 90 minutes. The fully automatic solid-state, two-rate charger initiates battery charging to recharge a discharged battery in 24 hours.

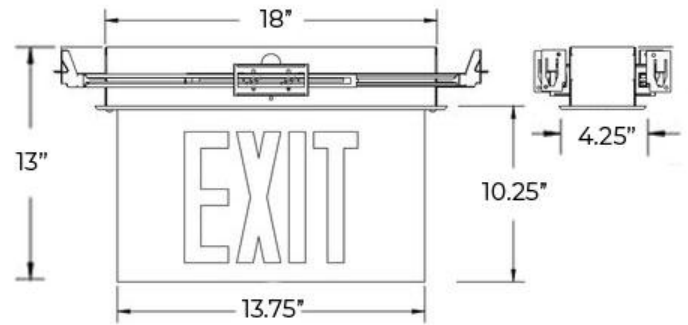
BATTERY - BATTERY BACKUP

The ELCNYCELSM-R-RM Exit Sign is designed with a maintenance-free battery that provides a minimum emergency duration of 90 minutes. Recharge time of the battery is 24 hours. Operational temperature range is 32°F (0°C) to 122F (50°C).

INSTALLATION

The ELCNYCELSM-R-RM allows unit to be ceiling recessed for drop ceiling or new construction application only. Includes field installable directional arrow indicators. All hardware is included.

DIMENSIONS



Weight : 12.00 lb

ELECTRICAL INFORMATION

Series	Input Watts (A)		Input Amps (A)	
	120V	277V	120V	277V
ELCELSM	3.8	4.5	0.030	0.020

3170 Scott St, Vista, CA 92081
Phone: 877-352-3948 | Fax: 877-352-3949
info@exitlightco.com