

# EMERGENCY LIGHT REMOTE HEAD - MR16 - 6 VOLT

Code: ELCRHJ-MR16



## FEATURES

- MR16 Emergency light remote head
- Injection molded, ABS thermoplastic housing
- Fully adjustable glare-free 6V MR16 lamp
- Suitable for dry location

## WARRANTY INFORMATION

Any component that fails due to manufacturer's defect is guaranteed for 1 year. The warranty only covers products installed and maintained in accordance with the instructions provided by their respective manufacturer and no warranty is made with respect to any of our products that are otherwise installed or maintained. For full warranty details, visit our Warranty Section.



## ORDERING INFORMATION

Series	Housing Color	Heads	Voltage
ELCRHJ-MR16	W (White)	SH (Single Head)	6V

Example: ELCRHJ-MR16-W-SH-6V

## CONSTRUCTION

The ELRHJ-MR16 remote head series is constructed from injection-molded ABS thermoplastic housing with a white finish.

## ILLUMINATION

Fully adjustable glare free single lens for optimal light distribution.

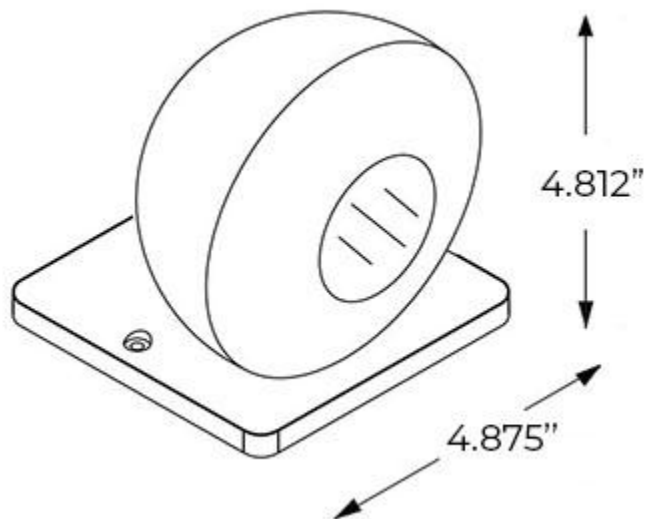
## ELECTRICAL COMPONENTS

Powered from low voltage power source with low voltage wiring (not provided).

## INSTALLATION

The ELCRHJ-MR remote head includes a universal mounting base plate with mounting hardware. The distance of maximum run is determined by system voltage, wire gauge and total maximum wattage on the run. Suitable for wall or ceiling mount

## DIMENSIONS



Weight : 1.00 lb

---

3170 Scott St, Vista, CA 92081  
Phone: 877-352-3948 | Fax: 877-352-3949  
info@exitlightco.com