

# LED WET LOCATION EXIT SIGN / EMERGENCY LIGHT

Code: ELCWLCOHD



Modern Exterior combo exit sign! Ultra bright, compact unit provides the affordability you've been looking for in a highend package. Long life LEDs and NiCad battery make this unit energy efficient and maintenance free!



## FEATURES

- UL 924, NEC, OSHA and NFPA 101 Life Safety Code
- UL Listed for wet locations
- Long lasting, efficient, ultra bright white LED lamp heads.
- Push-to-test switch
- 120 or 277 VAC operation
- Extremely low operating costs
- EZ snap-out Chevron directional indicators.
- 6V long life, maintenance free, rechargeable NiCd battery

## WARRANTY INFORMATION

Any component that fails due to manufacturer's defect is guaranteed for 1 year. The warranty only covers products installed and maintained in accordance with the instructions provided by their respective manufacturer and no warranty is made with respect to any of our products that are otherwise installed or maintained. For full warranty details, visit our Warranty Section.

## Conformance to Codes and Standards

The ELCWLCOHD series is UL listed and meets or exceeds the following: UL 924, NEC, OSHA and NFPA 101 Life Safety Code requirements.

## ORDERING INFORMATION

Series	Letter Color	Housing Color	Operation Type	Sides	Options
ELCWLCOHD	R (Red)	White	BB (Battery Backup)	S (Single)	CW (Cold and Hot Weather Rating -4°F to 122°F)
	G (Green)		ST (Self Testing)	D (Double)	
			RH (Remote Head Capable)		

## CONSTRUCTION

5VA flame retardant, UV stabilized polycarbonate in white, black or gray finish. High-impact resistant, UV stabilized polycarbonate clear lens. Corrosion resistant enclosure with engineering grade silicone gasket. Top and side K/O's provided for conduit feed applications.

## ILLUMINATION

Long lasting, efficient, ultra bright white LED lamp heads. 3.6W (3 LEDs x 1.2 watt) per head. Adjustable LED lamp heads provide optimal center-to-center spacing. Long-life, energy efficient Red or LED EXIT sign illumination.

## ELECTRICAL COMPONENTS

Dual 120/277 voltage. Unique bi-color LED indicator light alerts occupant on battery condition (Green-normal, Redcheck battery). 6V long life, maintenance free, rechargeable NiCd battery. Internal solid-state transfer switch automatically connects the internal battery to LED board and lampheads for minimum 90-minute emergency illumination. Fully automatic solid state, two rate charger initiates battery charging to recharge a discharged battery in 24 hours.

## EMERGENCY OPERATION

Upon failure of the normal utility power, an internal solidstate transfer switch automatically provides uninterrupted emergency operation for at least 90 minutes. The fully automatic solid-state, two-rate charger initiates battery charging to recharge a discharged battery in 24 hours.

## SELF-TESTING OPTION

Self-diagnostic feature performs monthly, biannual, and annual tests to ensure reliable operation and meet electrical and life safety codes.

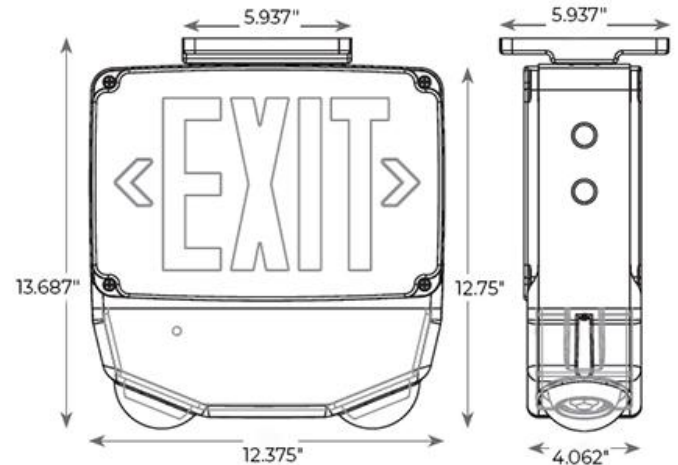
## OPERATIONAL TEMPERATURE

Temperature Ratings	
Series	Temperature
Standard Option	0°C to 50°C / 32°F to 122°F
Expanded Temperature Rating	-20°C to 50°C / -4°F to 122°F

## REMOTE HEAD CAPABLE OPTION

Remote head options give you the ability to connect additional remote head lights. (1) 6V Remote Head or (2) 3V Remote Heads

## DIMENSIONS



Weight : 10.00 lb

3170 Scott St, Vista, CA 92081  
Phone: 877-352-3948 | Fax: 877-352-3949  
info@exitlightco.com