

# LARGE LED WALL PACK WITH EMERGENCY OPTION

Code: ELF-WP



## FEATURES

- Wall pack fixture with optional emergency light and battery backup
- CSA Listed for Damp or Wet Location
- Die cast aluminum housing
- UV stabilized polycarbonate lens
- LED Board
- Maintenance-free battery ballast for emergency operation units
- Charge rate / power on indicator and test button with emergency ballast option
- **This product is custom made-to-order with a 2 week lead-time. As such it is final sale and no returns are allowed.**

## WARRANTY INFORMATION

Any component that fails due to manufacturer's defect is guaranteed for 1 year. The warranty only covers products installed and maintained in accordance with the instructions provided by their respective manufacturer and no warranty is made with respect to any of our products that are otherwise installed or maintained. For full warranty details, visit our Warranty Section.

## Conformance to Codes and Standards

ELF-WP series is CSA listed and meets or exceeds the following: Listed for Wet Locations, ANSI/UL 1598, 8750; IP65 Sealed LED Compartment.

## ORDERING INFORMATION

Series	Housing Color	Operation Type	Voltage	Wattage	Color Temperature	Photocell	Lens
ELF-WP	BZ (Bronze)	LFO (Light Fixture Only)	120-277V	29W	4000K	None	Standard
		LEB (Light with Emergency Ballast)	347-480V	43W	5000K	120-277 (120-277V Photocell)	Soft LED Lens
				58W			

## CONSTRUCTION

Die Cast Aluminum Housing & Hinged Front Frame, ½" Coin Plugs with O-rings for Conduit & Photocell, Textured Architectural Bronze Powdercoat Finish Over a Chromate Conversion Coating.

## ILLUMINATION

The ELF-WP is now designed with an LED board providing 4000k or 5000k light. Standard lesne is a prismatic clear lense with an option to upgrade to a soft LED prismatic borosilicate glass lens.

## ELECTRICAL COMPONENTS

The ELF-WP is designed to work with 120-277V 50/60Hz or optional 347-480V 50/60Hz systems.

## EMERGENCY OPERATION

In the event of a power failure, the emergency battery ballast option will keep the fixture illuminated for industry standard 90 minutes. Emergency ballast must be selected upon ordering.

## BATTERY - BATTERY BACKUP

The ELF-WP has the option for a 90-minute battery backup ballast to be installed. In case of a power outage, the wall pack will illuminate for a minimum of 90 minutes.

## PHOTOMETRICS

Mouting heights of 18 to 30 feet can be used based on light level and uniformity requirements.

## OPERATIONAL TEMPERATURE

### Temperature Ratings

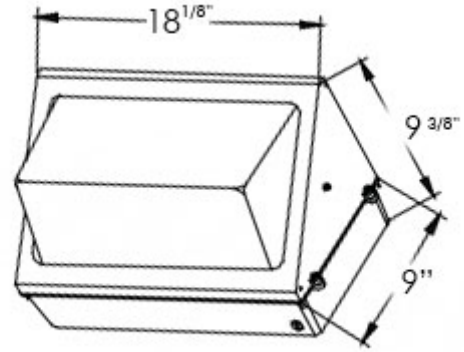
Standard Option

-40°F to 104°F

## INSTALLATION

Cast-in Template for Mounting Directly Over a 4" Recessed Outlet Box, or Use ½" Surface Conduit.

## DIMENSIONS



Weight : 25.00 lb

3170 Scott St, Vista, CA 92081  
Phone: 877-352-3948 | Fax: 877-352-3949  
info@exitlightco.com