

The ELSM-C1-D1 series is designed for indoors and outdoors where flammable gases or vapors or combustible dusts exist and create a hazardous locations.



**FEATURES**

- UL 1598A, 844, 924. IP 65, marine outside type
- NFPA 70 and NFPA 101 Compliant
- Class 1 Div 1 Groups C & D, Class 1 Div 2 A, B, C, D
- 120/277 VAC dual voltage
- Pendant ceiling mount
- Copper-free cast aluminum housing with baked on epoxy powder finish with 1/2" NPT conduit hubs
- UL Wet location listed (Indoor & Outdoor)
- Minimum start 0°C temperature
- LED Charging indicator light visible through lens

**WARRANTY INFORMATION**

Any component that fails due to manufacturer's defect is guaranteed for 1 year. The warranty only covers products installed and maintained in accordance with the instructions provided by their respective manufacturer and no warranty is made with respect to any of our products that are otherwise installed or maintained. For full warranty details, visit our Warranty Section.

**Conformance to Codes and Standards**

The ELSM-C1-D1 series is UL listed and meets or exceeds the following: UL 924, UL 1598, UL 844, IP65, Marine Outside and NFPA 101 NFPA 70 Life Safety Code requirements.

**ORDERING INFORMATION**

Series	Operation Type	LED Color	Sides
ELSM-C1-D1	AC (AC Only)	R (Red LED)	S (Single Sided)
	BB (Battery Backup)	G (Green LED)	DSM (Double Sided Mirrored)

## CONSTRUCTION

The ELSM-C1D1 series light is constructed from A356T6 aluminum with baked-on gray epoxy finish.

## ELECTRICAL COMPONENTS

Dual voltage input 120/277 VAC operation. LED display indicates AC/ON. An external push button test switch allows maintenance personnel to quickly determine the operational status of the unit.

Max Input Power:

Red no battery - 1.5 Watts

Red with battery - 2.5 Watts

Green no battery - 2.3 Watts

Green with battery - 3.0 Watts

## EMERGENCY OPERATION

Upon failure of the normal utility power, an internal solidstate transfer switch automatically provides uninterrupted emergency operation for at least 3 hours.

## BATTERY - BATTERY BACKUP

The ELSM-C1D1 Exit Sign is designed with a maintenance-free battery that provides a minimum emergency duration of 3 hours. Recharge time of the battery is 24 hours.

## OPERATIONAL TEMPERATURE

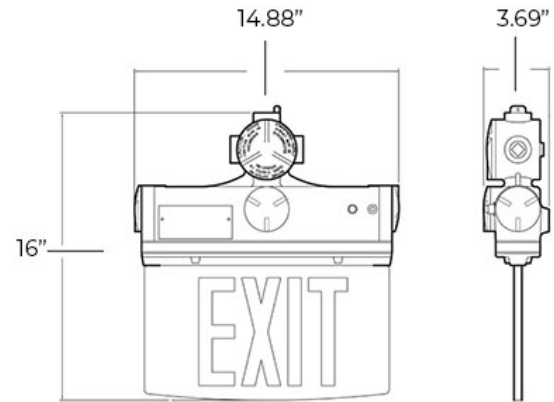
Temperature Rating Operation 50°F - 131°F (Red LED)

Temperature Rating Operation 50°F - 104°F (Green LED)

## INSTALLATION

The ELSM-C1 D1 series is designed for wall, pendant, and end mount installation.

## DIMENSIONS



Weight : 20.00 lb

---

3170 Scott St, Vista, CA 92081  
Phone: 877-352-3948 | Fax: 877-352-3949  
info@exitlightco.com