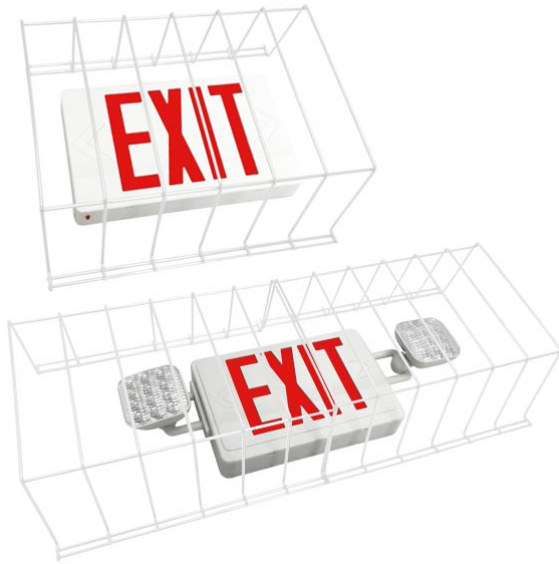


WIRE GUARDS FOR EXIT LIGHTS AND COMBO EXIT LIGHTS

Code: WG



FEATURES

- Flush mount Wire Guard for Exit Sign / Emergency Lights protection
- White color

WARRANTY INFORMATION

Any component that fails due to manufacturer's defect is guaranteed for 1 year. The warranty only covers products installed and maintained in accordance with the instructions provided by their respective manufacturer and no warranty is made with respect to any of our products that are otherwise installed or maintained. For full warranty details, visit our Warranty Section.

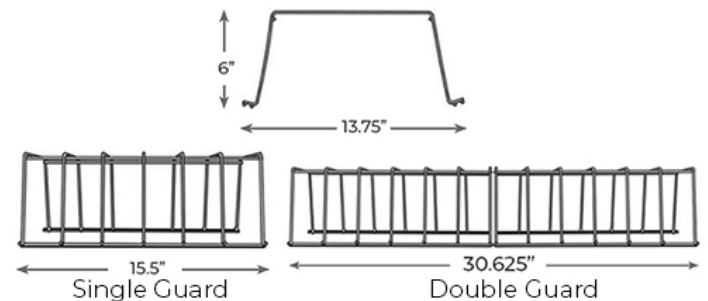
CONSTRUCTION

The WG guards are constructed from durable 9-gauge steel. Available only with a white finish.

INSTALLATION

The WG wire guards are designed for flushed installation only. Mounting Hardware provided.

DIMENSIONS



Weight : 4.00 lb