

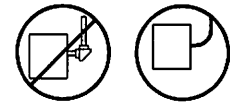
INSTALLATION INSTRUCTIONS FOR EXIT SIGN AND EMERGENCY LIGHT COMBINATION

IMPORTANT SAFEGUARDS

READ AND FOLLOW ALL SAFETY INSTRUCTIONS

1. Review the diagrams thoroughly before beginning.
2. All electrical connections must be in accordance with local codes, ordinances, and the National Electric code.
3. Disconnect power at fuse or circuit breaker before installing or servicing.
4. Do not use outdoors.
5. Do not mount in hazardous locations, or near gas or electric heaters.
6. Do not let power cords touch hot surface.
7. Equipment should be mounted in locations and at heights where it will not be subjected to tampering by unauthorized personnel.
8. The use of accessory equipment not recommend by the manufacturer may cause an unsafe condition.
9. Do not use this equipment for other than intended use.
10. All servicing should be performed by a qualified personnel only.
11. Allow battery to charge for 24 hours before first use.

Use Flexible Conduit Only



SAVE THESE INSTRUCTIONS

WIRING DIAGRAM (see Fig 1)

AC Wiring

Connect the white wire to neutral.
If using 120V, connect the black wire to the hot lead.
If using 277V, connect the orange wire to the hot lead.
Cap the unused lead.

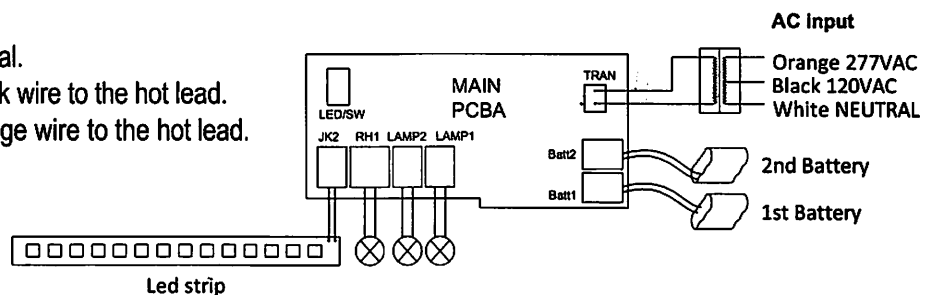


Fig 1

Recessed ceiling mount

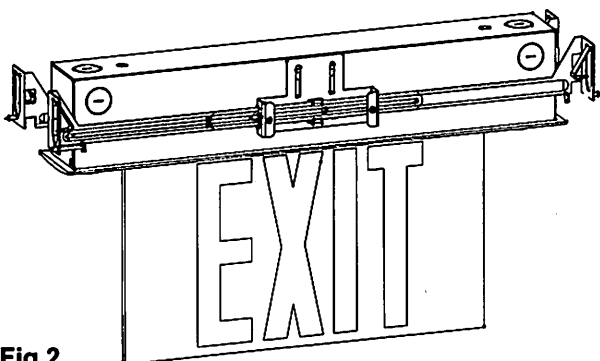


Fig 2

Recessed wall mount

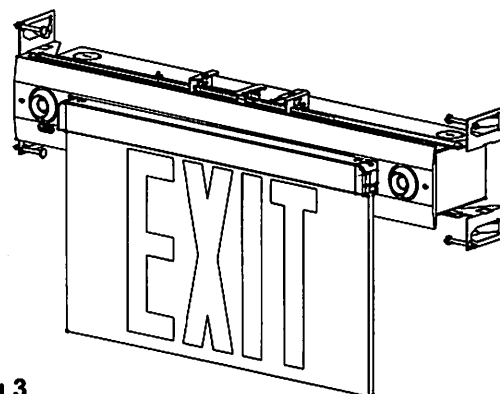


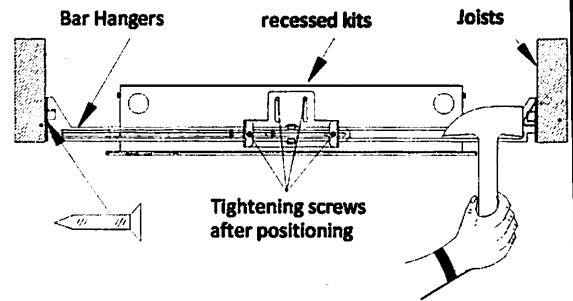
Fig 3

Recessed ceiling or wall mount

NOTICE: MUST WEAR GLOVES.

1. Position recessed kits between joists. Make sure bar hangers to be hanged in the correct position. Position recessed kits temporarily by hammering "nail-in" tabs on bar hangers, then secure permanently with nails. Bar hangers should be level with bottom of joists. Adjust height of recessed kits vertically using adjusting slots and then tightening all screws on adjusting slots and bar hanger bracket to secure adjusting bracket and bar hangers.(see Fig 4)
2. Separate trim plate, press one side spring to take out the module, connect battery connectors.(see Fig 5)
3. Hang safety cable to the module clip.(see Fig 5)
4. Disassembly J-box cap, Route the AC line and proper wires into the J-Box. (see Fig 5)
5. Make proper electrical connections. If using 120VAC, connect black and white leads to the building utility. If using 277VAC, connect orange and white leads to the building utility. Cap off unused wire.(see Fig 1)
6. Push excess wire into J-Box, tighten J-box cap back.
7. Assembly trim plate back use M3*15mm screws.(see Fig 6 or 7)
8. Connect light bar connector, assembly panel module to trim plate, adjust position of lamp heads as need.(see Fig 6 or 7)
9. Determine direction for chevrons as needed.

NOTICE: MUST WEAR GLOVES.



NOTICE: MUST WEAR GLOVES.

Fig 4

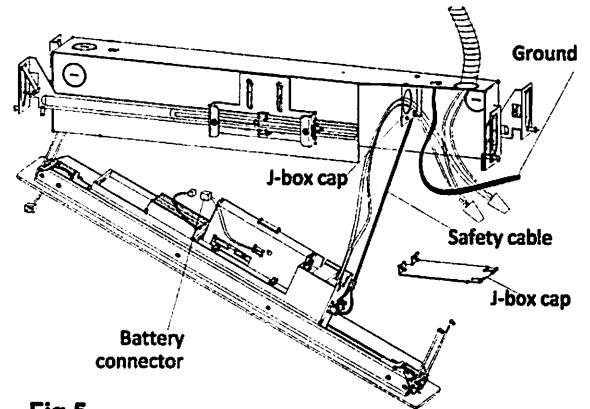


Fig 5

Recessed wall mount

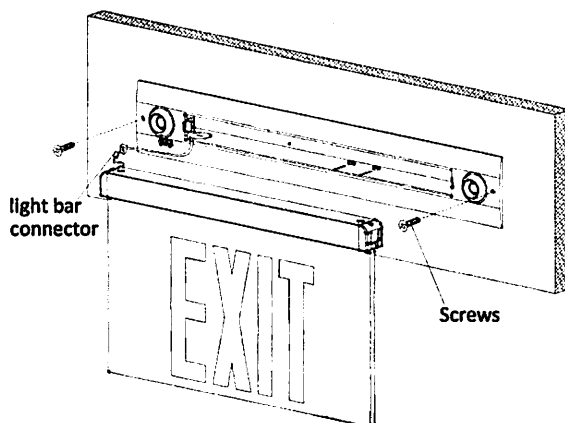


Fig 7

Recessed ceiling mount

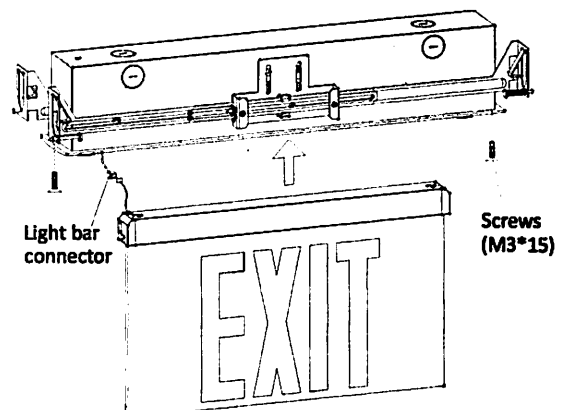


Fig 6

Connecting Remote Heads (see Fig 8)

Using 1pc battery, no remote capability.

Using 2pcs battery with remote capability.

Connect remote heads extension wire to remote wire, yellow is positive(+), purple is negative(-). connect wires using wire nuts.

Remote capability: 3.6V 3W remote capabilities.

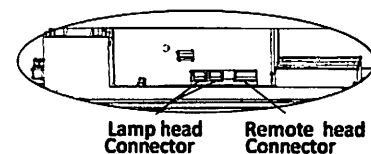


Fig 8



3170 Scott St, Vista, CA 92081
Phone: 877-534-4621 | Fax: 877-352-3949