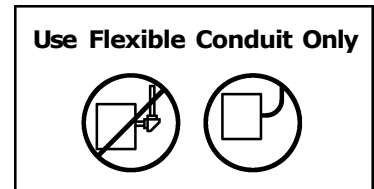


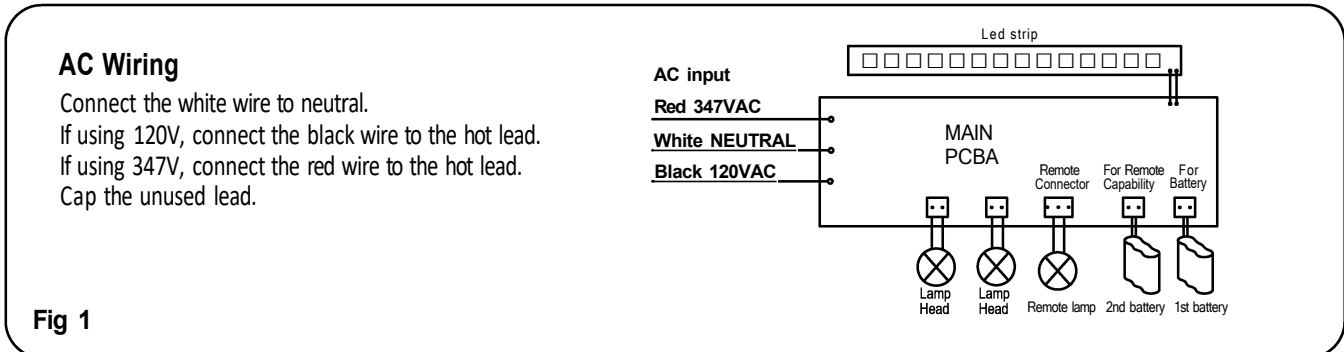
## IMPORTANT SAFEGUARDS READ AND FOLLOW ALL SAFETY INSTRUCTIONS

1. Review the diagrams thoroughly before beginning.
2. All electrical connections must be in accordance with local codes, ordinances, and the National Electric code.
3. Disconnect power at fuse or circuit breaker before installing or servicing.
4. Do not use outdoors.
5. Do not mount in hazardous locations, or near gas or electric heaters.
6. Do not let power cords touch hot surface.
7. Equipment should be mounted in locations and at heights where it will not be subject to tampering by unauthorized personnel.
8. The use of accessory equipment not recommend by the manufacturer may cause an unsafe condition.
9. Do not use this equipment for other than intended use.
10. All servicing should be performed by a qualified electrician only.
11. Allow batteries to charge for 24 hours upon installation.

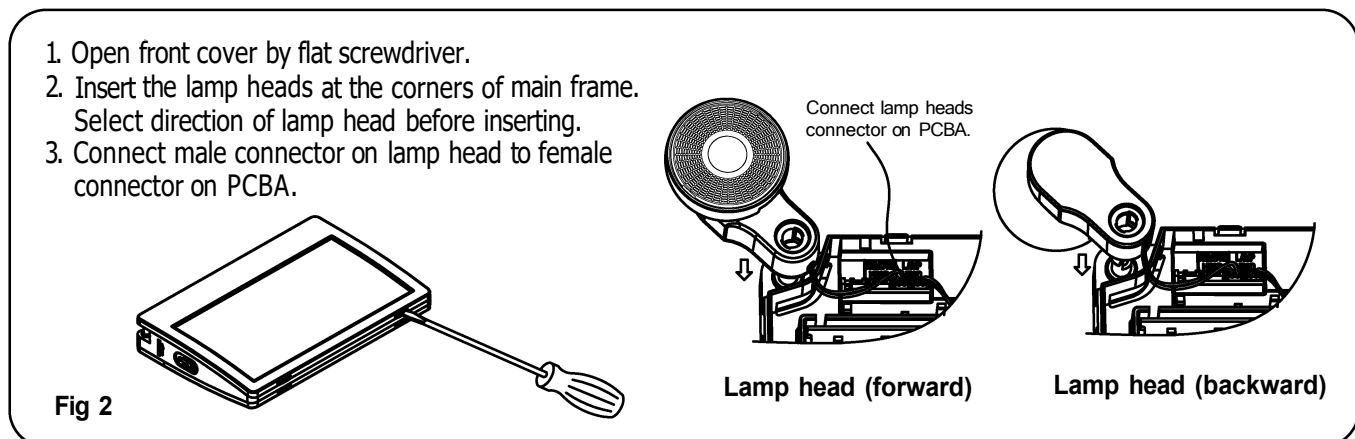


## SAVE THESE INSTRUCTIONS

### WIRING DIAGRAM (see Fig 1)



### Assembly Lamp Heads (see Fig 2)



# Mounting Instruction

*The fixture suitable for wall mounting, side mounting, ceiling mounting.*

1. Attach crossbar to junction box, set the longer blade of crossbar touching the J-Box.
2. Open front cover and assemble 2 pcs lamp heads on the frame.
3. Remove out the mounting hole cover on the back plate or top or side of the unit, assemble the canopy (see Fig 2,3,4,5,6).
4. Route the proper wires through mounting hole out of housing.
5. Make electrical connections inside the J-Box as wiring diagram.
6. Push excess wire into J-Box, use screws tighten canopy to crossbar so that canopy is securely fastened and tight against the wall.
7. Attach battery connector to PC board, restore front panel on unit, adjust position of lamp heads as need.
8. Take out pictogram and white lens from front cover, change direction of pictogram properly then assembly again(see Fig 7).

## Wall mounting

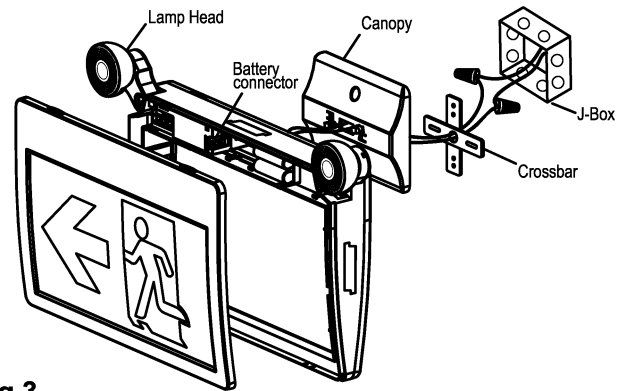


Fig 3

## Ceiling mounting

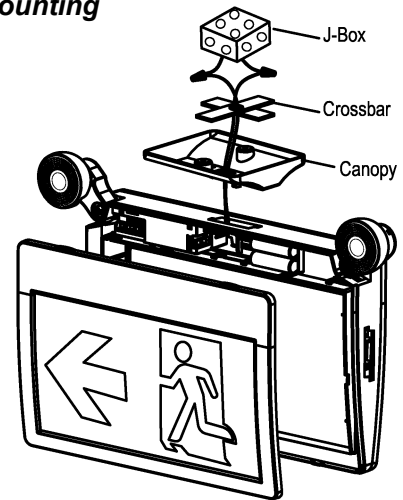


Fig 5

## Side mounting

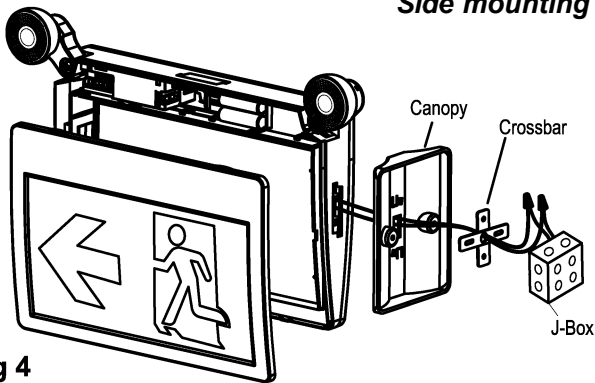
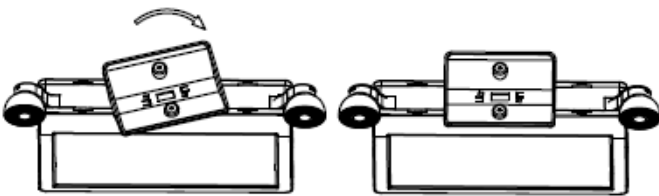


Fig 4

## Canopy assembly



Insert canopy into housing at 20 degree angle and twist. Quick snap is now locked firmly.

**CAUTION:** Trying to remove canopy is locked in place may cause damage.

Fig 6

## Change direction of pictogram

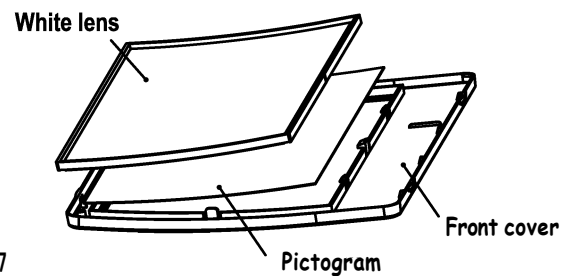


Fig 7