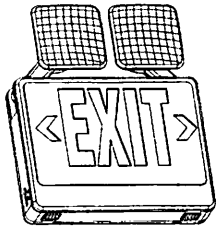


INSTALLATION INSTRUCTIONS FOR COMBINATION EMERGENCY EXIT LIGHT



IMPORTANT SAFEGUARDS:

When using electrical equipment, basic safety precautions should always be followed, including the following.

1) READ AND FOLLOW ALL SAFETY INSTRUCTIONS

- 2) Do not use outdoors.
- 3) Do not mount near gas or electric heater.
- 4) Use caution when handling batteries. Avoid possible shorting.
- 5) Equipment should be mounted in location and at heights where it will not be readily subjected to tampering by unauthorized personnel.
- 6) The use of accessory equipment will void product listing and warranty and may cause unsafe condition.
- 7) Do not use this equipment for anything other than the intended use.

8) SAVE THESE INSTRUCTIONS

IMPORTANT:

Disconnect AC power before servicing and installation

When relamping, only use lamps specified in the exit sign.

Using other lamp types may result in transformer damage or unsafe conditions.

Battery in this unit may not be fully charged.

After electricity is hooked up to unit, let the battery charge up for at least 24 hours. Then normal operation of this unit should take place.

INSTALLATION

Ceiling Mounting

- 1) Connect 20" jumper leads to A.C. input leads in J-box, fasten J-box bracket to J- box. Use Black wire for 120 volt, Red wire for 277 volt, White wire is common.
- 2) Fasten canopy to J-box bracket.
- 3) Snap housing to canopy.
- 4) Connect and trim input leads to socket leads at upper left corner of housing wire channel.
- 5) Connect battery only after continuous AC power can be provided to the unit
- 6) Secure face plate to housing. Remove the proper arrow as required.

Back Mounting

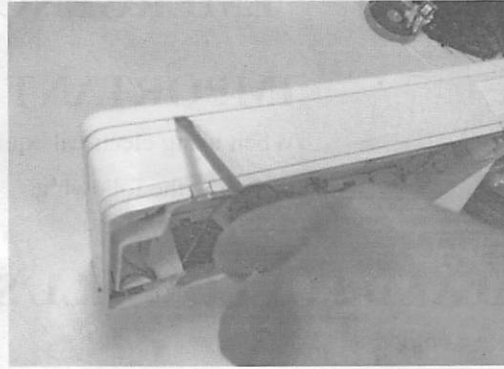
- 1) Connect 20" jumper leads to A.C. input leads in J-box. Use Black wire for 120 volt, Red wire for 277 volt, White wire is common.
- 2) Remove necessary knockouts and fasten back cover to J-box.
- 3) Snap housing to back cover.
- 4) Connect and trim input leads to socket leads at upper left corner of housing wire channel.
- 5) Connect battery only after continuous AC power can be provided to the unit
- 6) Secure face plate to housing. Remove the proper arrow as required

WARNING:

Unused wires must be capped using enclosed wire nuts.



Remove the front cover



Remove back cover

WIRING DIAGRAM:

Note: Any unused leads to be properly covered

DIAGRAM 1

(One battery regular unit)

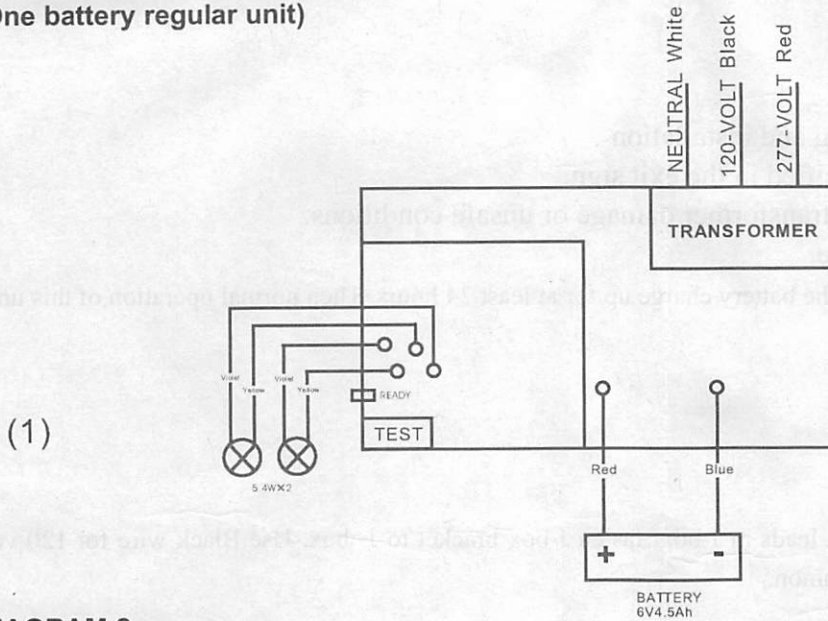
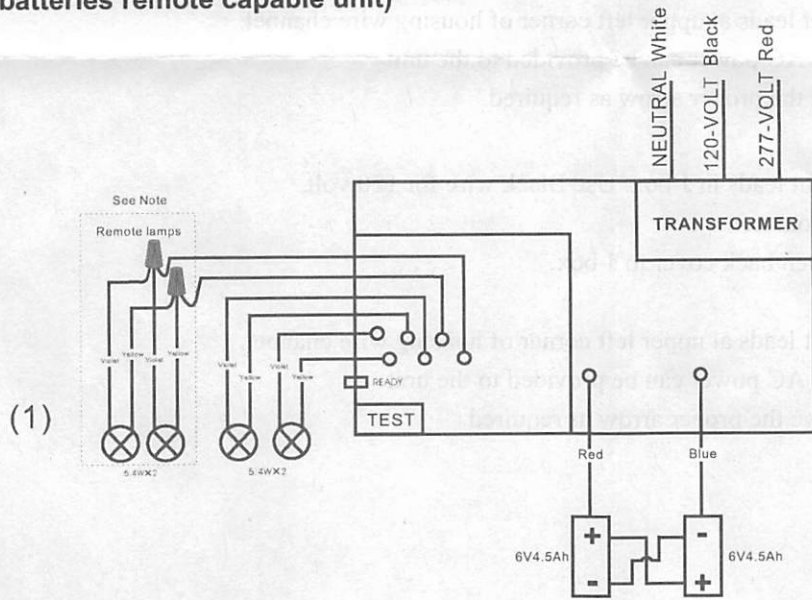


DIAGRAM 2

(Two batteries remote capable unit)



INSTRUCTION FOR SELF - DIAGNOSTIC TEST:

1. Introduction

Once the unit is properly installed according to the installation instruction sheet and AC power supplied it will come ON. The dual color LED indicator will also come ON and the self-diagnostic test function will automatically initiate. The LED indicator points out the current unit status. A STEADY GREEN on the LED indicates a normal service; BLINKING GREEN indicates that the unit is in testing mode; GREEN/RED FLASHING indicates that the battery is charging; RED (in different combinations) would indicate a fault or a service alert. Refer to the section 3-Fault Indication for more details. The indicator would be OFF when the unit is in emergency mode.

2. Self - Diagnostic Service

The self-diagnostic function is factory preset without any allowable field adjustment. The automatic self-diagnostic feature serves the following tests

- On-line real time monitoring of battery and lamps (both local and remote) identifies battery charging, disconnection and failure along with local and remote lamp failures.
- Self-testing and a 15-minute discharge once in every 30 days, after AC power has been supplied for a minimum of 24hrs.
- Self-testing and a 90-minute discharge once in every year, after AC power has been supplied for a minimum of 24hrs.

3. Fault Indication

Fault Description	LED Indication
Battery disconnection	STEADY Red
Battery recharge failure	FLASHING Red
Battery failure	Red BLINKING '2' TIMES
LED failure (Exits only)	Red BLINKING '3' TIMES
Local lamp failure (Emergency lights only)	Red BLINKING '4' TIMES
Remote lamp failure (Emergency lights only)*	Red BLINKING '5' TIMES
Conversion system fault	Red BLINKING '6' TIMES

*- Some applications, for emergency lights, might not require the remote lamps to be used. In such cases, the LED indicator would be constantly BLINKING Red '5' times indicating a fault. In order to by-pass the remote lamps, the PCB must be carefully pulled out from the unit and the purple wire (protruding from the board) should be plugged into the slot Re - L1- on the board. The purple wire already plugged into the slot must be pulled out. Contact factory for further assistance.

4. Manual Testing

The unit also provides for manual testing by pushing the test button in a specific pattern. The different patterns and the resulting tests are listed in the table below.

Action	Reaction & LED Indication
Push test button Once (within 2 seconds)	30-second test: FLASHING Green
Push test button Twice (within 2 seconds)	15-minute test: Green BLINKING twice
Push test button Three times (within 2 seconds)	90-minute test: Green BLINKING three times

WARNING:

- Make sure that power is OFF before making any Electrical Connections.
- Unused wires must be capped using enclosed wire nuts.