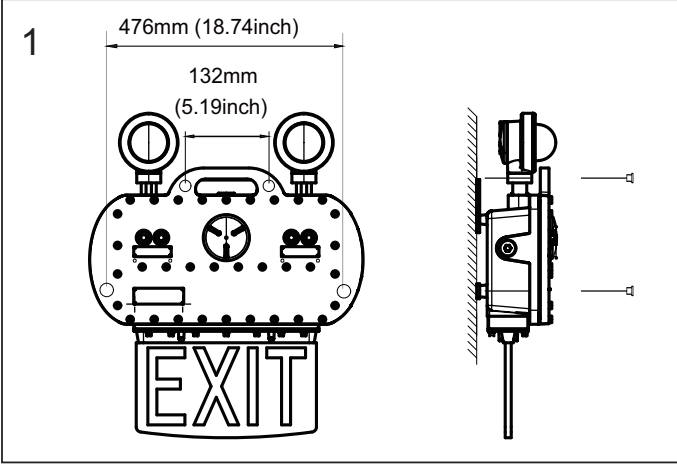


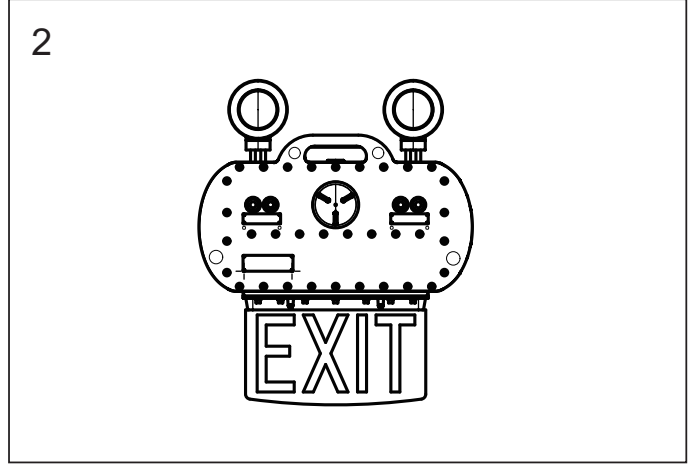
Installation Instructions:

COMBOX-C1D1 - LED Explosion Proof Combo Emergency Exit Light | Class 1 Division 1 | Adjustable Lamp Heads

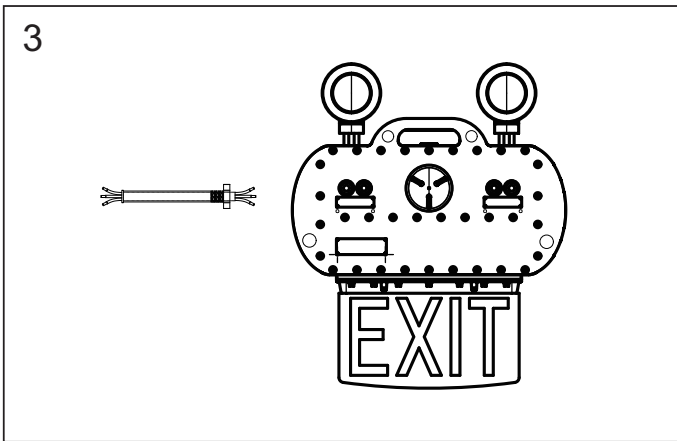
Wall Mount:



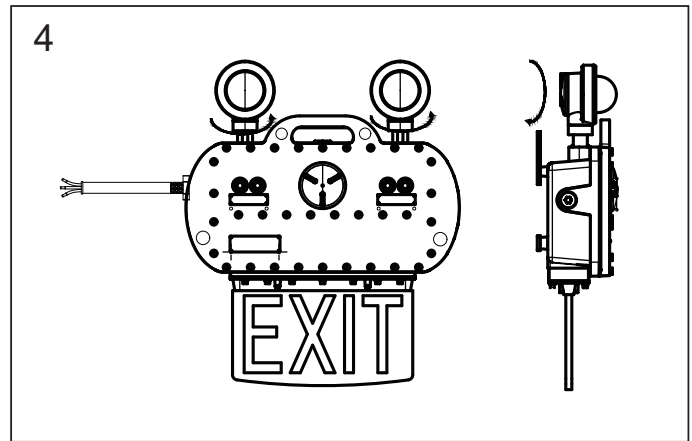
Step 1: Begin by drilling two holes, following the dimensions illustrated in figure 1, with a spacing of 251mm (9.88 inches). Subsequently, secure the lamp to the wall using 7/16" bolts (please note that bolts are not included).



Step 2: Mount and secure the COMBOX with four 5/16" expansion bolts (please note that bolts are not included).



Step 3: Attach the pipe to the 3/4" NPT entry and fill 16mm (0.63-inch) of chemical filler into conduit and secure the conduit to the lamp body. Subsequently, establish the electrical connections as follows: connect the black cable to the 'L' terminal, the white cable to the 'N' terminal, and the green cable to the grounding terminal.



Step 4: Once installed, make any necessary adjustments to the direction of the head lamps according to your requirements.