

# INSTALLATION AND OPERATING INSTRUCTIONS

## IMPORTANT SAFEGUARDS!!! SAVE THESE INSTRUCTIONS!!!

### READ AND FOLLOW ALL SAFETY INSTRUCTIONS

When using electrical equipment, basic safety precautions should always be taking as following:

1. Review the diagrams thoroughly before beginning.
2. All electrical connections must be in accordance with local codes, ordinances, and the National Electric code.
3. Disconnect power at fuse or circuit breaker before installing or servicing.
4. Do not mount in hazardous locations, or near gas or electric heaters.
5. Do not let power cords touch hot surface.
6. Equipment should be mounted in locations and at heights where it will not be subjected to tampering by unauthorized personnel.
- 7 The use of accessory equipment not recommend by the manufacturer may cause an unsafe condition.
8. Do not use this equipment for other than intended use.
- 9 . All servicing should be performed by a qualified personnel only.
- 10.Allow battery to charge for 24 hours before first use (Only for ACEM models).

## NOTICE: MUST WEAR GLOVES!

### FUNCTION

1. Photo sensor and wall switch functions is only available for general light mode, the photo sensor function is factory's default. Emergency lighting has no these functions.
2. For photo sensor mode ,if ambient illuminance < 10 Lux, fixture will turn on automatically,ambient illuminance >30 Lux, fixture will turn off. (Fig 7)
3. For wall switch mode, make a wall switch between 1 and 2. (Fig 8)
4. Remove the jumper cable to have Non-maintain function.

PHOTO SENSOR  WALL SWITCH   
Slide switch to select function

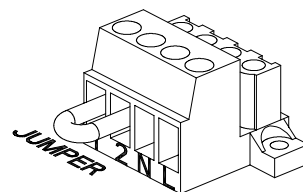


Figure 1

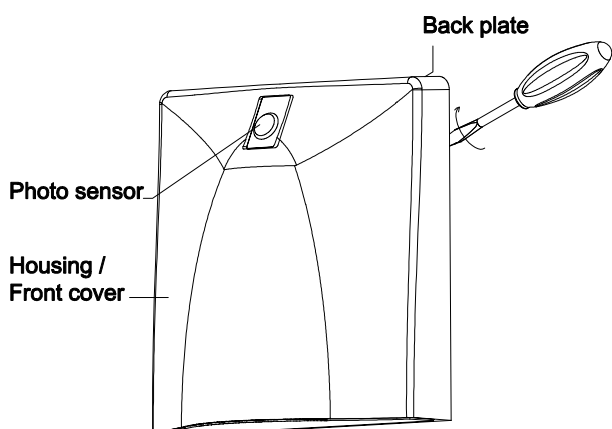
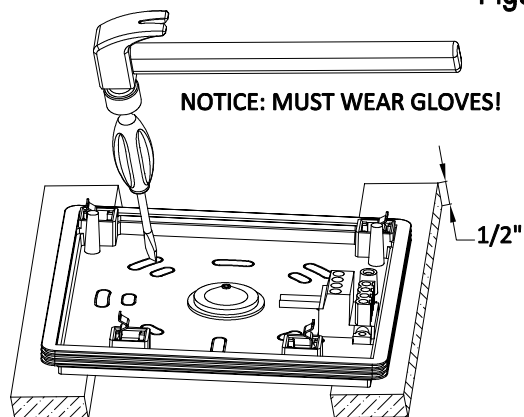


Figure 2



NOTICE:  
Keep the back plate 1/2 inch away from the desktop, knockout or drill appropriate screws hole from front side.

Figure 3

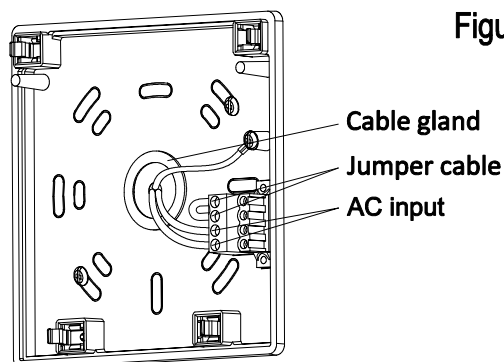
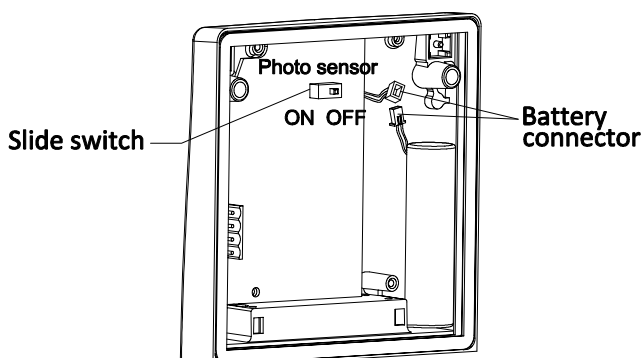
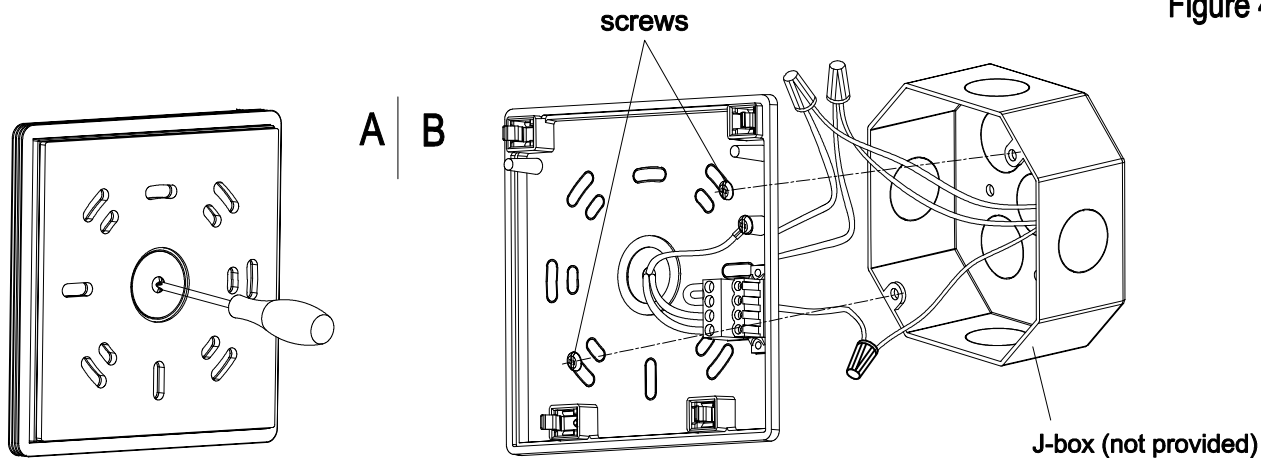
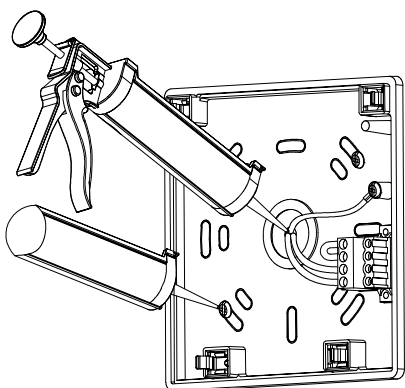


Figure 4



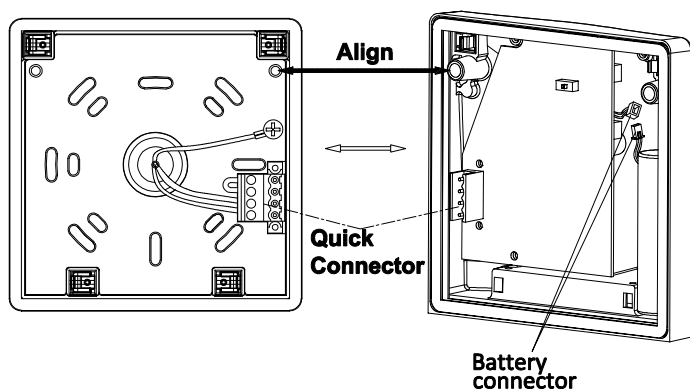
**NOTICE:**  
Fix the screws with proper force to ensure that the back plate will not be pressed into deformed and will not affect the waterproof function.

Figure 5



**NOTICE:**  
Apply silicone sealant to all open areas after installation.

Figure 6

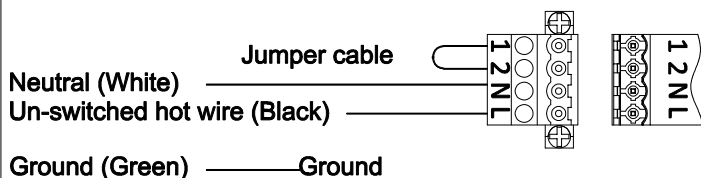


**NOTICE:**  
Reconnect battery connector, Assemble Front cover to Back plate.

**Wiring diagram for general light auto turn on/off by photo sensor** Figure 7



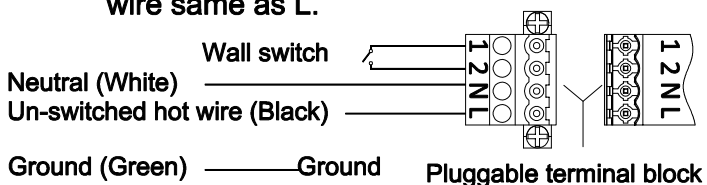
Refer to wiring details as below diagram, slide switch must be Original position (factory default setting) to utilize photo sensor.



**Wiring diagram for general light with wall switch** Figure 8



Toggle slide switch down to bypass the photo sensor, remove jumper cable, connect wall switch to terminal 1 and 2, terminal 1 is hot switched wire, terminal 2 is hot un-switched wire same as L.



**Wall Mount for back power feed**

1. Use flat blade screwdriver insert the two slots and make rotation then remove front cover from back plate. (see Fig.1)
2. Knock out appropriate knock out hole of the back plate. (see Fig.2)
3. Use small cross screwdriver knockout the center cable gland on the back plate. (see Fig.4-A)
4. Feed unit wires through center cable gland, connect the unit wires to power supply wires using the wire nuts provided. connect the white wire to neutral, black wire to hot lead(120-277V), ground to green wire.
5. Secure back plate to J-box, apply silicone sealant to all open areas. (see Fig.4)
6. **Reconnect battery connector, Assemble Front cover to Back plate.**(see Fig.5)