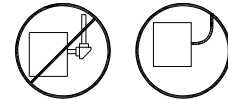


IMPORTANT SAFEGUARDS

READ AND FOLLOW ALL SAFETY INSTRUCTIONS

1. Thoroughly examine the diagrams before proceeding with installation.
2. Ensure all electrical connections adhere to local codes, ordinances, and the National Electric Code.
3. Prior to installation or servicing, disconnect power at the fuse or circuit breaker.
4. Avoid outdoor usage.
5. Refrain from mounting in hazardous areas or near gas or electric heaters.
6. Prevent power cords from contacting hot surfaces.
7. Mount equipment in secure locations and at heights inaccessible to unauthorized individuals.
8. Using accessory equipment not recommended by the manufacturer may result in unsafe conditions.
9. Limit equipment usage to its intended purpose only.
10. All servicing must be conducted by qualified personnel exclusively.
11. Allow 24 hours for a single battery to charge before initial use. For models with two batteries, charge for 48 hours.

Use Flexible Conduit Only



SAVE THESE INSTRUCTIONS

MAINTENANCE:

If the product is stored for over 9 months, the battery must be recharged. For detailed instructions, refer to the "BATTERY STOCK AND RECHARGE GUIDELINE" in the manual. We recommend regular testing of the equipment in line with local codes. Replace batteries as necessary if the discharge time does not reach 90 minutes.

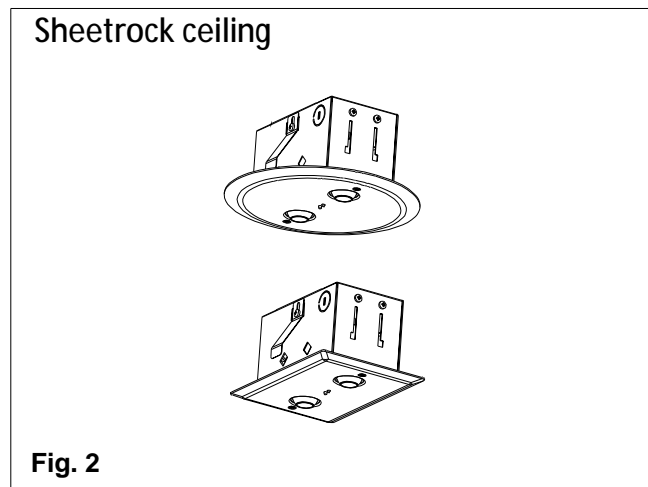
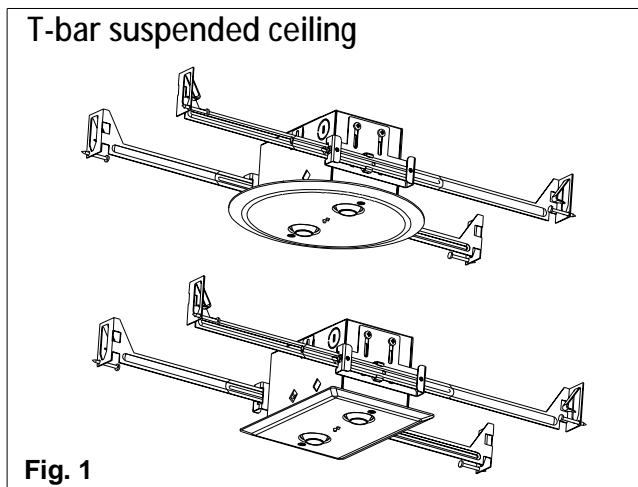
OPERATION:

Pressing the test button will activate the LED lamp heads while turning off the LED indicator. Releasing the test switch will turn on the LED indicator and deactivate the LED lamp heads.

TROUBLESHOOTING GUIDE:

If the LED lamp heads or LED indicator fail to illuminate, perform the following checks:

1. Verify AC supply - ensure the unit receives a continuous 24-hour AC supply.
2. Inspect battery connections.
3. Discharge and recharge the battery for 24 hours, then retest.
4. If the above troubleshooting steps do not resolve the issue, contact the factory for assistance.



▲ NOTICE-MUST WEAR GLOVES FOR ALL INSTALLATION PROCESSES

Max. mounting height: 21ft

T-bar Suspended Ceiling

1. Position the recessed kits between the joists, ensuring that the bar hangers are placed correctly. Temporarily position the recessed kits by hammering the "nail-in" tabs on the bar hangers, then secure them permanently with nails. Ensure that the bar hangers are level with the bottom of the joists. Vertically adjust the height of the recessed kits using the adjusting slots, and then tighten all screws on the adjusting slots and bar hanger brackets to secure the adjusting bracket and bar hangers (refer to Fig. 3).
2. Use a screwdriver to remove the rear cover, then install flexible conduit with the AC supply cable through the rear cover (refer to Fig. 4).
3. Make proper electrical connections: Connect the battery connector. If using 120VAC, connect the black and white leads to the building utility. If using 277VAC, connect the orange and white leads to the building utility. Cap off any unused wires (refer to Fig. 8).
4. Secure the rear cover using M4*5 screws (refer to Fig. 4).
5. Secure the face panel using M3*15 screws (refer to Fig. 4).
6. Adjust the angles of the lamp heads as necessary.

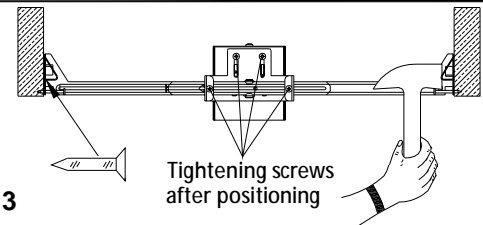


Fig. 3

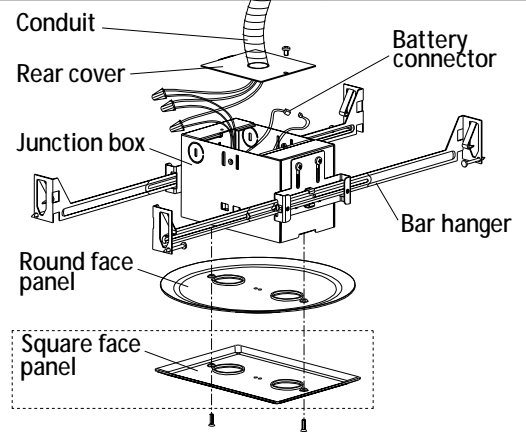


Fig. 4

Sheetrock Ceiling

1. Create a cut-out hole in the appropriate position on the ceiling surface (refer to Fig. 5).
2. Use a screwdriver to remove the rear cover, then install flexible conduit with the AC supply cable through the rear cover (refer to Fig. 7).
3. Make proper electrical connections: Connect the battery connector. For 120VAC usage, connect the black and white leads to the building utility. For 277VAC usage, connect the orange and white leads to the building utility. Ensure any unused wires are capped off (refer to Fig. 8).
4. Secure the rear cover using M4*5 screws (refer to Fig. 7).
5. Adjust the springs to the appropriate position based on the thickness of the sheetrock using a screwdriver (refer to Fig. 6).
6. Place the junction box in the hole and secure it to the sheetrock ceiling using the springs.
7. Adjust the angles of the lamp heads as necessary.

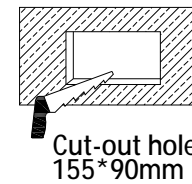


Fig. 5

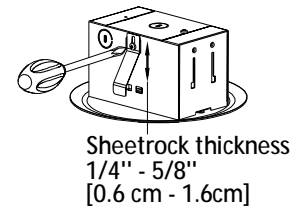


Fig. 6

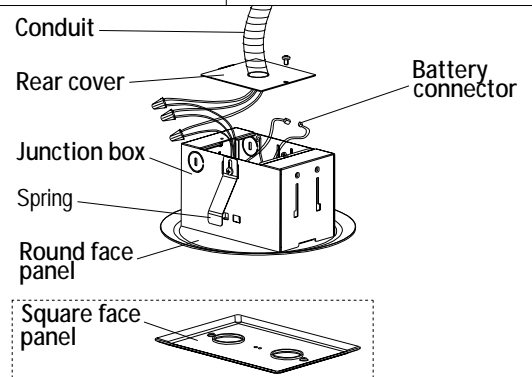


Fig. 7

Wiring diagram (see Fig. 8)

AC Wiring

Connect the white wire to neutral.
 If using 120V, connect the black wire to the hot lead.
 If using 277V, connect the orange wire to the hot lead.
 Cap the unused lead.

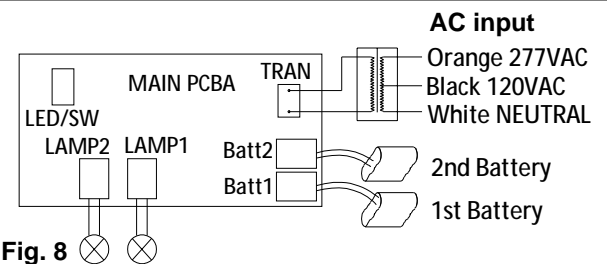


Fig. 8

Connecting Remote Heads (see Fig. 9)

1pc battery model, no remote capability.
 2pcs batteries model with remote capability.
 Plug the remote male connector into the female connector.
 Connect extended remote head wires to the remote wires using wire nut.
 Yellow is positive(+) and the purple is negative(-).
 Remote capability: 3.6V 3W max.

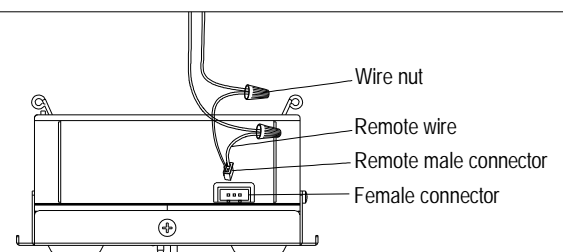


Fig. 9