

# Recessed Emergency Light

## Installation Instructions

### **IMPORTANT SAFEGUARDS**

When using electrical equipment, basic safety precautions should always be followed including the following:

#### **1. READ AND FOLLOW ALL SAFETY INSTRUCTIONS**

2. DO not use outdoors.
3. DO not let power supply cord touch hot surfaces.
4. Do not mount near gas or electric heaters.
5. Use caution when handling batteries. Battery acid can cause burn to skin and eyes. If acid is spilled on skin or eyes, flush acid with fresh water and contact a physician immediately.
6. Equipment should be mounted in locations and at heights to prevent tampering by unauthorized personnel.
7. The use of accessory equipment not recommended by the manufacturer may cause an unsafe condition.
8. CAUTION: If halogen cycle lamp(s), symbol (H<sub>L</sub>) are used in this equipment to avoid shattering: do not operate lamp in excess of rated voltage. Protect lamp against abrasion, scratches and liquids when lamp is operating, dispose of lamp with care.
9. Halogen cycle lamps operate at high temperature. do not store flammable materials near lamp.
10. Do not use this equipment for other than intended use.

### **SAVE THESE INSTRUCTIONS**

#### **TESTING**

Press and hold the test switch, the emergency lamp will illuminate. Release test switch, the emergency will extinguish and pilot light will be illuminated. Prior to initial full load testing, unit should be on for 24 hours to allow the battery sufficient time to reach full charge.

#### **CAUTION**

This equipment is supplied with a "state of the art" low end battery voltage disconnect circuit to prevent over discharge of the battery. When the battery voltage reaches a pre-set low level, the emergency lamp will automatically be disconnected from the battery.

#### **IMPORTANT NOTICE**

If the AC Supply to this unit is to be disconnected for 2 months or more, the battery must be disconnected.

#### **MAINTENANCE**

None required. The unit should be tested monthly in accordance with the requirements of NFPA 101, Life Safety Code, State or local codes.

***ALL SERVICING SHOULD BE PERFORMED BY QUALIFIED SERVICE PERSONNEL***

## INSTALLATION

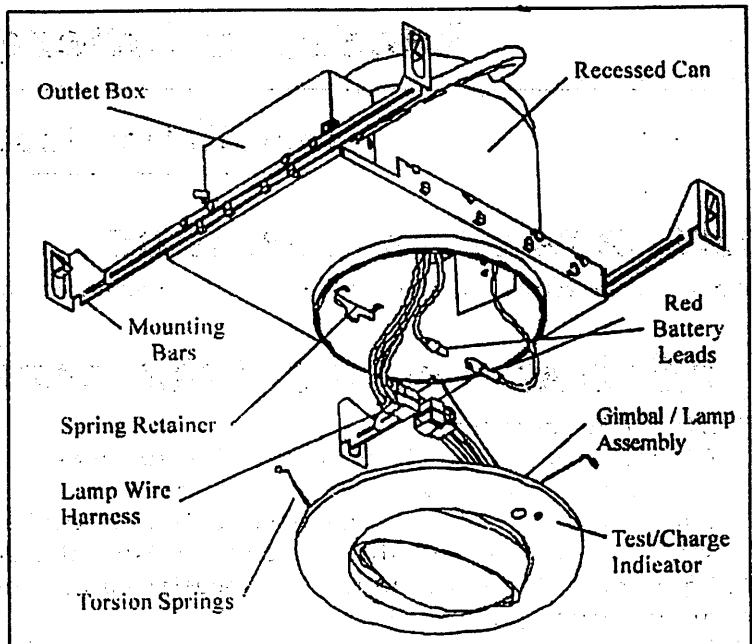
1. Turn off A.C. power before installation or servicing.
2. Carefully remove unit from carton. Place Gimbal / Lamp assembly aside. Assemble Mounting bars to Recessed can assembly and install in ceiling. (See below "Installing Fixture in Ceiling")
3. Run wires into Outlet Box using knockouts. Leave 6-8 inches of wire in Outlet Box.

**NOTE: Circuit must be from a 24 hour, unswitched 120V or 277V line.**

4. Remove AC Wire harness in Outlet Box and connect stripped ends to AC power as follows:  
Connect Black lead to 120 volt connection, or Orange lead for 277 volt connection.

**NOTE: Insulate the unused black or orange lead.** Connect green (ground) lead and white (Neutral) lead to AC service wires. Then replace Outlet Box Door.

5. Connect Red Battery Lead by joining the two piece connector inside the recessed can.
6. Connect lamp wire harness to mating connector. Install Gimbal/Lamp Assembly in Recessed Can. Carefully Compress Torsion Springs and release in spring retainer. Once the two torsion spring assemblies are in place push the Gimbal assembly into the recessed can.
7. The Indicator Light will be lit when AC circuit is energized. To test the unit, simulate a power outage by pressing and holding the Test Button. Indicator Light will turn off and the emergency light will turn on.



## INSTALLING FIXTURE IN CEILING

Joist type ceilings (Fig. 1): Extend bar hangers to fit between joists. Position fixture temporarily by hammering **nail-in** tabs into joists, then secure permanently with nails. Hangers should be level with bottom of joists. Suspended (T-bar) Ceilings (Fig. 2): Extend bar hangers one inch past T-bars, then rest fixture on T-bars. Properly secure the fixture to ceiling joists with wire (not included).

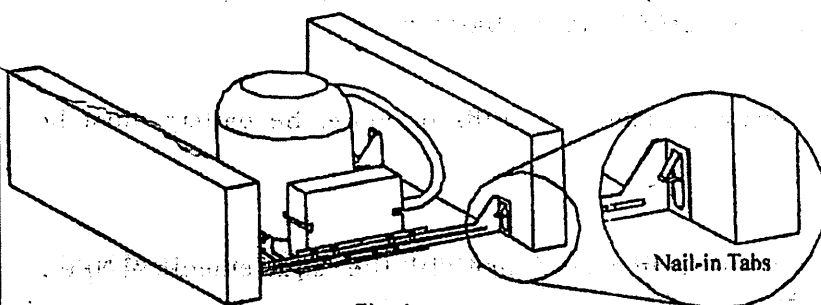


Fig. 1

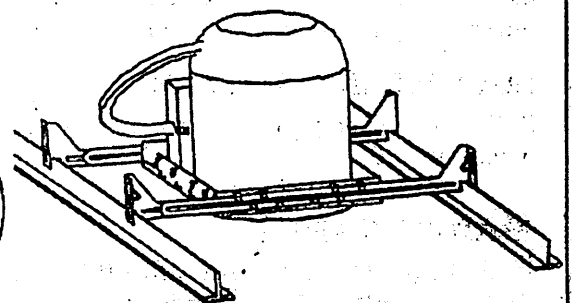


Fig. 2

**ALL SERVICING SHOULD BE PERFORMED BY QUALIFIED SERVICE PERSONNEL**