

INSTALLATION INSTRUCTIONS FOR LED EMERGENCY LIGHT

IMPORTANT SAFEGUARDS

READ AND FOLLOW ALL SAFETY INSTRUCTIONS

When using electrical, basic safety precautions should always be followed including the following.

1. Disconnect power at fuse or circuit breaker before installing or servicing.
2. Suitable for wet locations.
3. Do not mount in hazardous locations, or near gas or electric heaters.
4. Do not let power cords touch hot surfaces.
5. Equipment should be mounted in locations and at heights where it will not be subjected to tampering by unauthorized personnel.
6. The use of accessory equipment not recommended by the manufacturer may cause an unsafe condition.
7. Do not use this equipment for other than intended use.
8. All servicing should be performed by qualified personnel only.
9. Allow the battery to charge for 24 hours before first use.

SAVE THESE INSTRUCTIONS

MAINTENANCE

None required. Replace the batteries as needed according to ambient conditions. However, we recommend that the equipment be tested regularly in accordance with local codes.

OPERATION

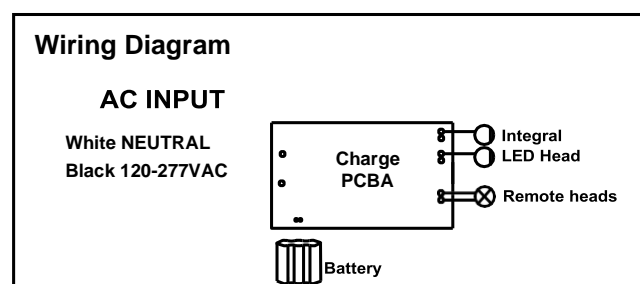
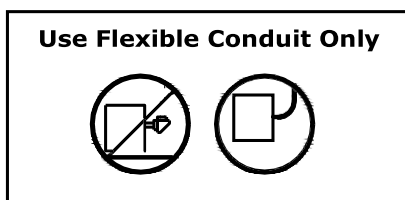
Press the test button: The LED heads will turn on and the LED indicator will turn off.

Release the test button: The LED indicator will turn on and the LED heads will turn off.

TROUBLESHOOTING GUIDE

If LED heads or LED indicator does not illuminate, check the following:

1. Check AC supply - verify that the unit has had a 24-hour AC supply.
2. The unit is shorted or the battery is not connected.
3. Battery discharge. Permit the unit to charge for 24 hours and then re-test.
4. The battery has to be recharged if the product is kept in stock for over 12 months, detail manual refer "BATTERY STOCK AND RECHARGE GUIDELINE".
5. If the above troubleshooting hints do not solve your problem, contact the factory for assistance.



Mounting Instructions

Maximum mounting height

The mounted fixture should not exceed the following height.

WM8-A:35ft

WM8-B:45ft

WM8-HO:90ft

Wall Mount-Back Power Feed (see Fig 2)

1. Use a Phillips-head screwdriver to loosen 2 screws (see Fig 1).
2. Use a flat-head screwdriver, insert it into 2 middle slots, and remove the clear cover from the back plate.
3. Use a flat-head screwdriver, insert it into the two slots, and pry off the front cover from the back plate.
4. Knockout cable hole and appropriate mounting hole in the back plate.
5. Feed utility AC wires through the cable hole of the back plate.
6. Secure the back plate to the J-box by screws.
7. Connect the fixture wires to the utility AC wires using the wire nuts provided. Connect the white wire to neutral, and connect the black wire to the hot lead. Press back the wires into the J-box (Refer to the Wiring Diagram).
8. Connect remote heads. Refer to the instructions below for remote heads.
9. Connect the battery connector.
10. Snap the front cover onto the back plate.
11. Adjust the lamp head direction per needs.
12. Restore the clear cover on the fixture.
13. Restore power and press the test button. LED heads will turn on.

Ceiling Mount -Top Power Feed (see Fig 3)

Refer to the above **Wall mount-Back Power Feed** instruction. Just one difference: Mount the back plate on the ceiling surface instead of the wall surface.

Connecting Remote heads (see Fig 2)

Optional function, only RC item with remote capability.
maximum remote capability 6V4W

Attach remote wire on remote connector on PCBA,
Connect remote heads extended wire to remote wire, yellow is positive(+), and purple is negative(-). connect wires using wire nuts.

Open fixture

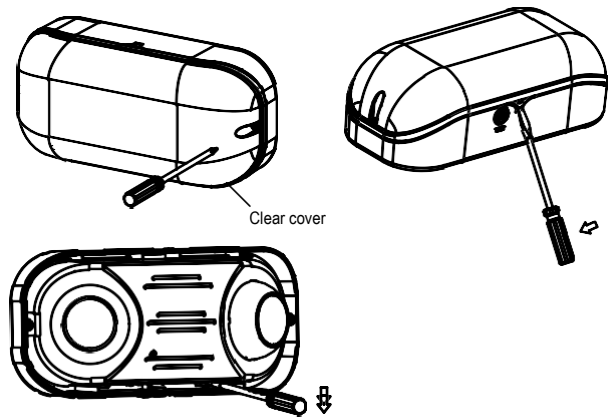


Fig 1

Wall mount-Back Power Feed

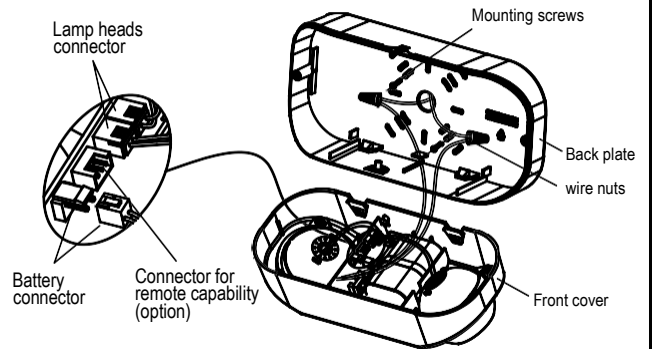


Fig 2

Ceiling mount-Top Power Feed

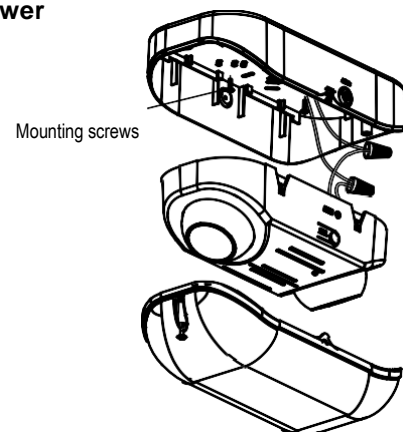


Fig 3