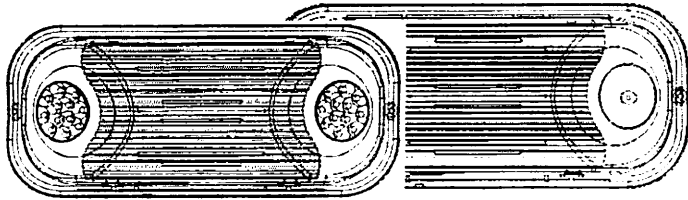


INSTRUCTION FOR EMERGENCY LIGHTING FIXTURE



IMPORTANT!

The battery in this unit may not be fully charged. After electricity is connected to unit, let battery charge up for at least 24 hours. Then the normal operation of this unit should take effect. To check press the "TEST" button and the lights on the unit should turn ON.

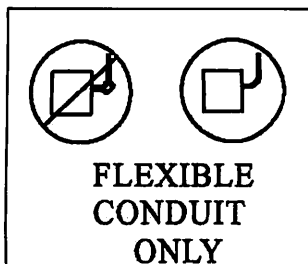
IMPORTANT SAFEGUARDS

When using electrical equipment, basic safety precautions should always be followed including the following:

READ AND FOLLOW ALL SAFETY INSTRUCTIONS

1. Rated for temperature range of 10°C-40°C (50°F-104°F) and suitable for use in an application that is designated as a damp location area as defined by NEC Article 100, Location, Damp.
2. Used indoors or outdoors.
3. Equipment should be mounted in locations and at heights where it will not be subject to tampering by unauthorized personnel.
4. Do not mount near gas or electric heaters.
5. The use of accessory equipment is not recommended by the manufacturer and may cause an unsafe condition.
6. Do not use this equipment for anything other than its intended use.
7. Servicing of this equipment should be performed by qualified personnel.
8. Disconnect AC power before servicing.

SAVE THESE INSTRUCTIONS!



INSTALLATION (J-BOX MOUNTING)

1. Open the Base plate and lead out a wire after getting through the hole on the Base plate. Fix the Base plate on J-Box with screws.
2. Then connect to AC power (Fig.A).
3. Connect to the battery with connectors (Fig.B).
4. Install the housing to Base plate, turn on the AC power and press the "TEST" button check light (Fig.C).

INSTALLATION (CONDUIT)

1. Secure Base Plate to wall surface. Route wires through hole in conduit flange and make conduit connection. Use flexible conduit only.
2. Connect battery only after continuous AC power is being supplied to the unit (Fig. B).
3. Align snaps and push housing directly onto the Base Plate (Fig. C). Apply continuous AC power and press "TEST" button to check light.

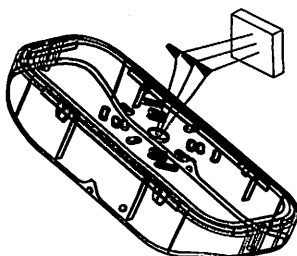


Fig. A (J-Box)

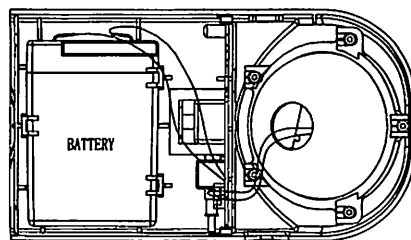


Fig. B

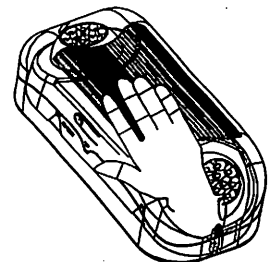


Fig. C

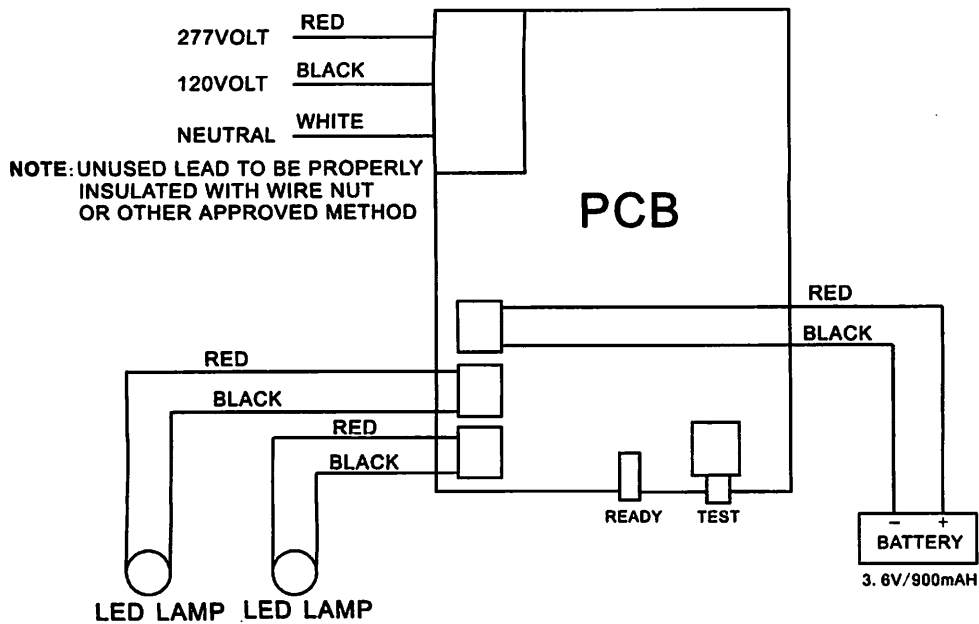
WARNING:

Unused wires must be capped using enclosed wire nuts.

OPERATION

1. During an electrical power failure, the lamps on the unit will automatically come ON for a minimum of 90 minutes.
2. To test this unit, let it charge correctly with AC power supply for a minimum of 24 hours after its first installation and then depress the "TEST" switch, the emergency lamps will illuminate. When the switch is released, the lamps will turn OFF.

LED WIRING DIAGRAM



MR16 WIRING DIAGRAM

