

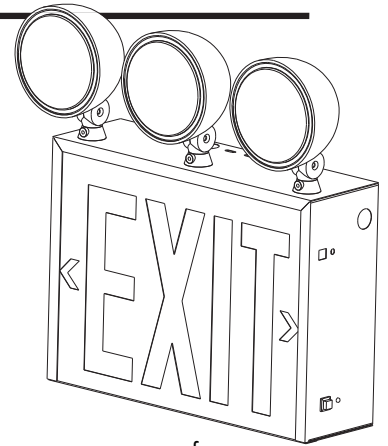
# INSTALLATION INSTRUCTIONS FOR NEW YORK COMBINATION EMERGENCY EXIT LIGHT

## IMPORTANT SAFEGUARDS

When using electrical equipment, basic safety precautions should always be followed including the following:

## READ AND FOLLOW ALL SAFETY INSTRUCTIONS

- Do not use outdoors.
- Do not let power supply cords touch hot surfaces.
- Do not mount near gas or electric heaters.
- Equipment should be mounted securely in locations and at heights where it will not be readily subjected to tampering by unauthorized personnel.
- The use of accessory equipment and replacement parts not recommended by the manufacturer may cause an unsafe condition.
- Do not use this equipment for other than its intended purpose.
- The AC voltage rating of this equipment is specified on the product label. Do not connect equipment to any other voltage.



## SAVE THESE INSTRUCTIONS!

### IMPORTANT:

- When re-lamping use only lamps specified by the manufacturer. Using other lamp types may result in transformer damage or cause unsafe conditions.
- Battery in this unit may not be fully charged. After electricity is hooked up to the unit, let the battery charge up for at least 24 hours. Then normal operation of this unit should then take effect.

### INSTALLTION:

Back Mounting –

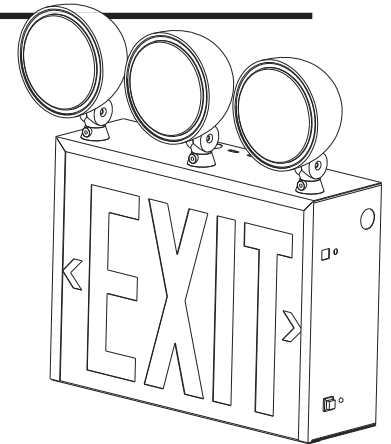
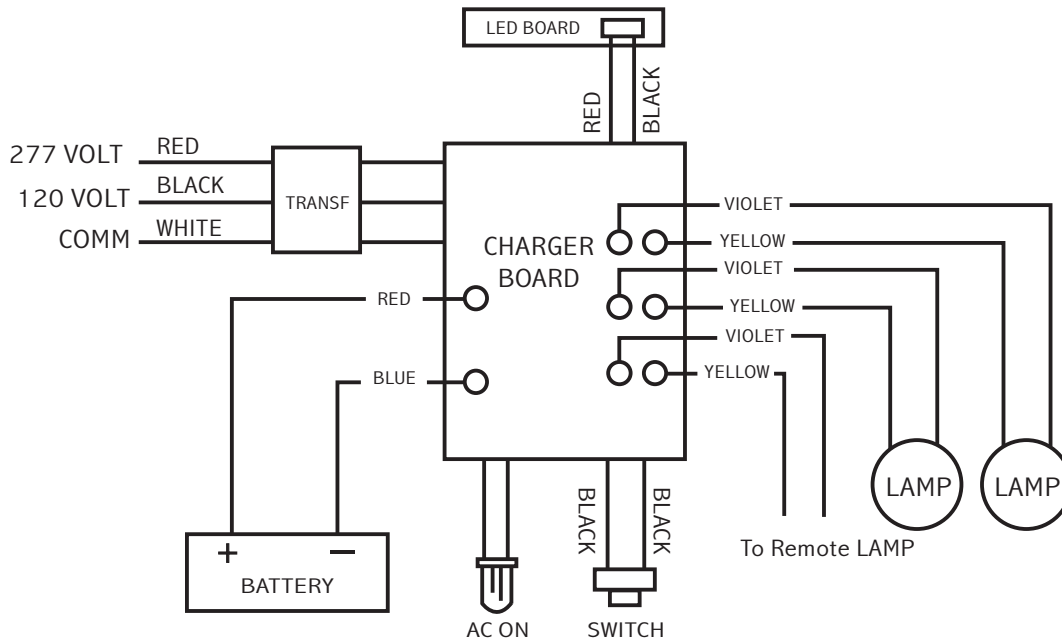
1. Slide out the front exit panel face plate and lens/ filter by removing the screw on the bottom of the unit.
2. Remove internal metal reflector plate by removing the (2) screws.
3. Determine which mounting holes will be used to mount the fixture to J-BOX and then punch out proper K/Os from the K/O pattern on the back panel of the housing.
4. There are two additional KEY HOLE slots located on the top of the unit. These holes must be used when the unit is mounted to the wall.
5. Connect AC supply wires to fixture input wires. Black is for 120V; Red is for 277V; White is for Neutral.
6. Connect the Red and Blue leads coming from the Circuit board to the battery terminals. Red lead would be connected to the positive terminal and Blue lead to the negative terminal.
7. Replace the internal metal reflector and secure unit with the (2) screws.
8. Reinsert the front exit panel and red lens/ filter and secure with screw.

**OPTION:** The package includes an ADDITIONAL 3rd LIGHTING HEAD. If required this head could be mounted in between the two existing heads on the unit. This could be done before, during or after the unit's installation. The procedure is described in the following steps.

1. Punch out the square mounting hole on the top of the unit.
2. Mount the head securely with the included nut (Fig. 1).
3. Connect the yellow and violet wires coming from the circuit board (labeled 'remote wires') to the yellow and violet wires on the lamp head using wire nuts or any other prescribed method.

# WARNING:

UNUSED WIRES MUST BE CAPPED USING ENCLOSED WIRE NUTS.



**NOTE:**  
LAMP HEAD  
INSTALLATION  
INSTRUCTION

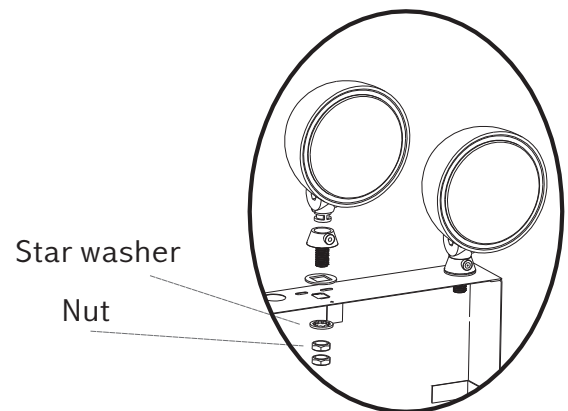


Figure 1